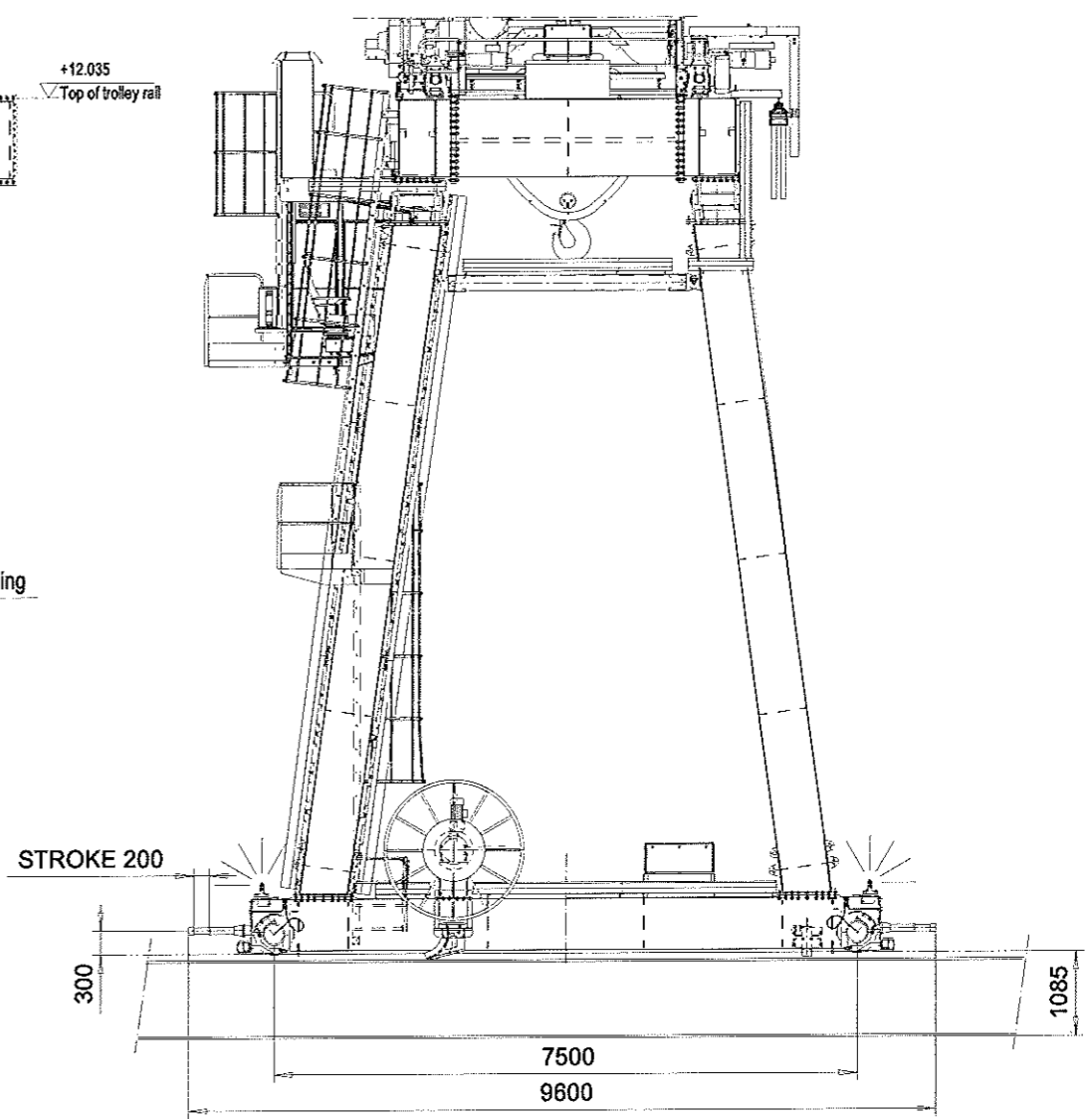
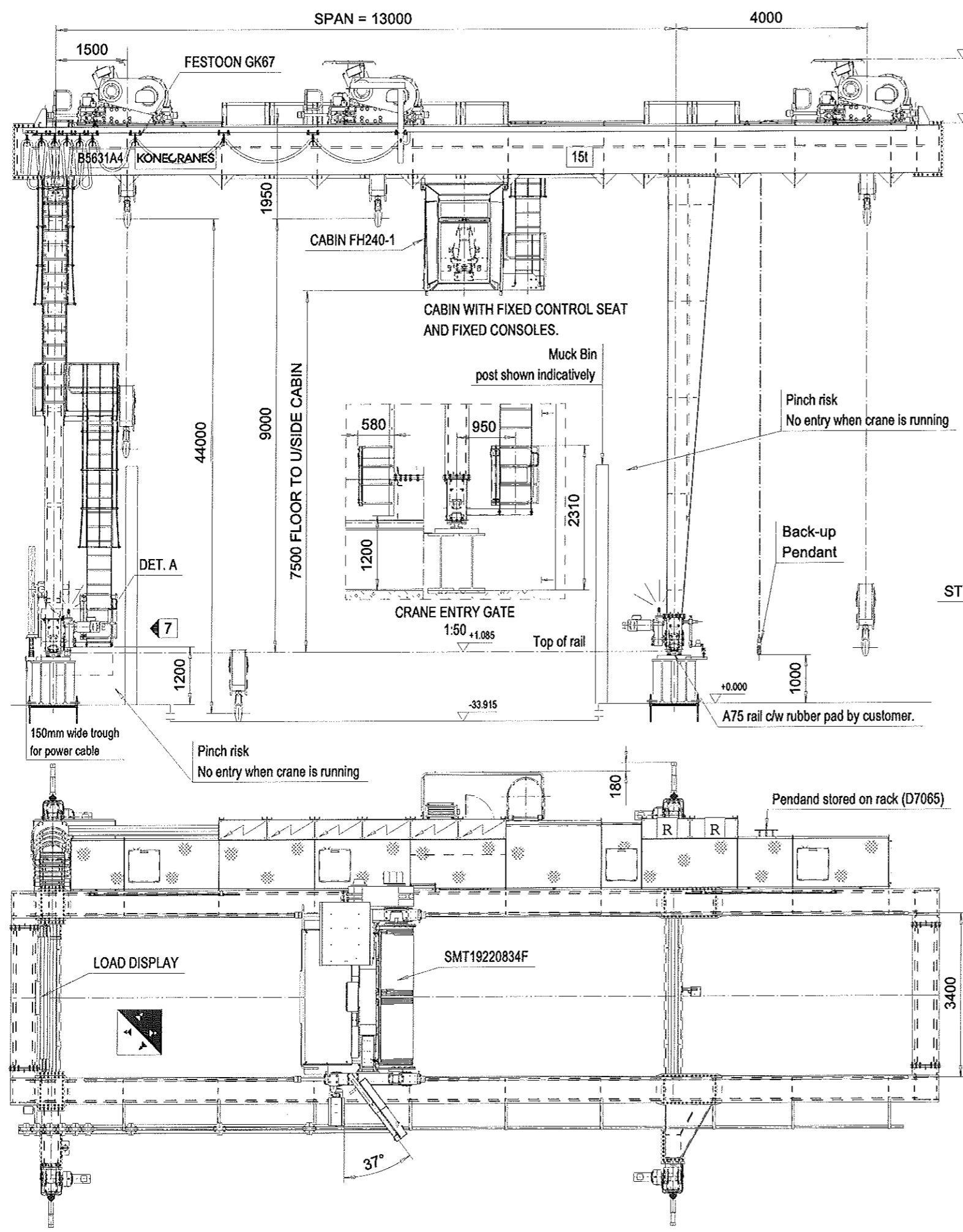


53827836-DRW1

REV	CHANGE DESCRIPTION	ECN	DATE	REVISED BY	APPROVED BY
1	PRELIMINARY REVISION		2016-12-22	klllll	klllll
5	Accessories updated		2017-03-24	salomol	klllll
6	Steel construction updated		2017-04-03	rej-klur	klllll
7	Access ladder lower level raised		2017-07-05	fcvso	klllll



HOIST DATA	I: SMT1922	TECHNICAL DATA	
LOAD	: 15000 kg	SPAN	: 13 m
LIFTING HEIGHT	: 44 m (max. 59 m)	CRANE CAPACITY	: 15 t
HOISTING SPEED (15t)	: 28,6 m/min stepless	TRAVELLING SPEED	: 40 m/min stepless
HOISTING SPEED (3t)	: 40 m/min stepless	WEIGHT OF CRANE	: 45000 kg
TRAVERSING SPEED	: 20 m/min stepless	WEIGHT OF BRIDGE	: 36000 kg
WEIGHT OF TROLLEY	: 9000 kg	CRANE CLASS	: U5/Q5
HOIST GROUP	: M8	CRANE DRIVE GROUP	: M6
		MAIN VOLTAGE	: 400 V PE EMC; 50 Hz
		CONTROL VOLTAGE	: 110 V; 50 Hz
		SUPPLY POWER	: 126 kW
		LENGTH OF RUNWAY	: 32 m

Runway tolerances must comply with standard ISO12488-1 tolerance class 2

Outdoor Use crane -10°...40° C

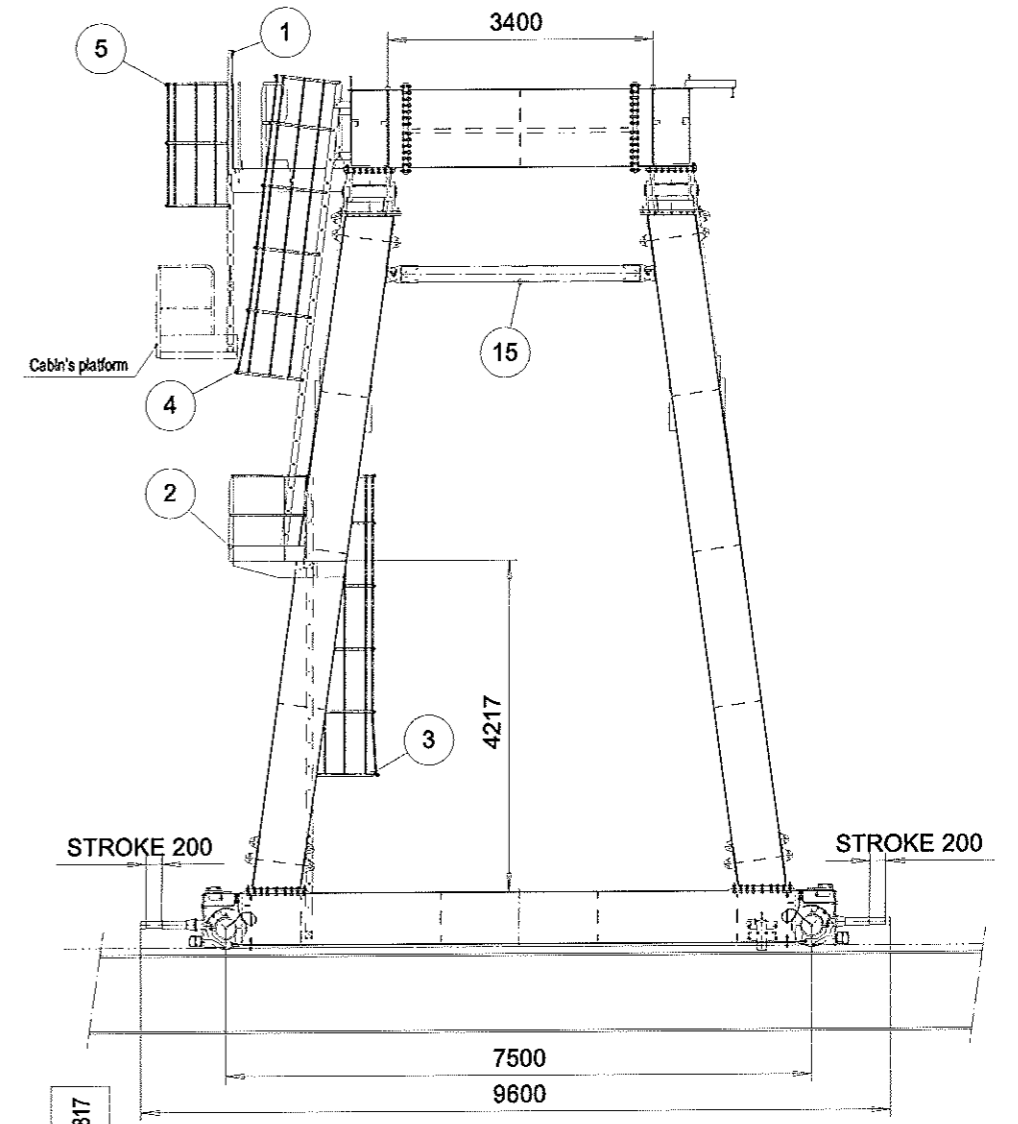
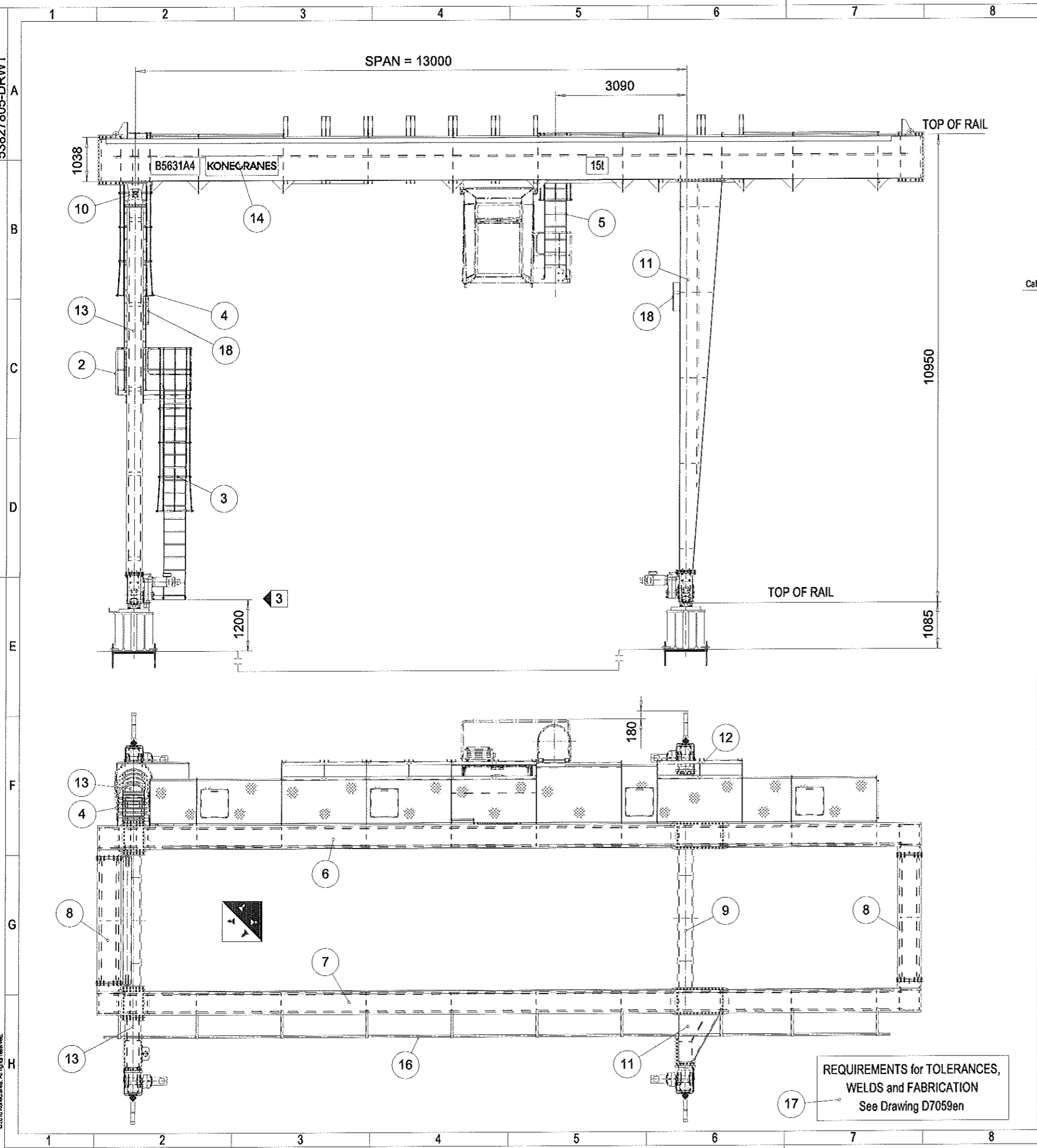
Cabin and Radio back-up controlled crane

POS	DESCRIPTION	SPECIFICATION	WIDTH	LENGTH	ITEM ID	DRAWING	WEIGHT
APPROVED	DATE	DEPARTMENT					kg
klllll	2017-02-08	Engineering.BL ICS					A2
CHECKED	DATE	TITLE					SCALE
klllll	2017-02-08	CRANE LAY-OUT DRAWING					1 : 65
DESIGN	DATE	KEYWORDS					
klllll	2016-12-22	-					
PRODUCT / PROJECT REFERENCE						ITEM ID	
Thames Tideway						53827836	
SPECIFICATION						DRAWING ID	
KONECRANES B5631A4-GA						53827836-DRW1	
						REV	
						7	

This document and the information contained herein, is the exclusive property of Konecranes Global Corporation and represents a non-public, confidential and proprietary trade secret that may not be reproduced, disclosed to third parties, altered or otherwise employed in any manner whatsoever without the express written consent of Konecranes Global Corporation. ©2016 Konecranes. All rights reserved.

53827805-DRW1

REV	CHANGE DESCRIPTION	ECN	DATE	REVISED BY	APPROVED BY
1	Approved for production		2016-12-22	kiiii	kiiii
2	pos. 18 added		2017-06-07	salomol	kiiii
3	Access ladder, pos. 8, shortened		2017-07-05	foevso	kiiii



POS	DESCRIPTION	SPECIFICATION	WIDTH	LENGTH	ITEM ID	DRAWING	WEIGHT kg
1	18	BRACE B5631A4-A-OP1			53931561	53931561-DRW1	360.6
1	17	INSTRUCTION D7059EN			53151985	53151985-VXP1	0.01
1	16	FESTOON RAIL B5631A4-A11			53877889	53877889-DRW1	288.7
1	15	ROD B5631A4-N3			53868505	53868505-DRW1	221.7
1	14	SIGN B5631A4-K1			53827820	53827820-DRW1	
2	13	HINGED LEG B5631A4-MP1			53827819	53827819-DRW1	1258.2
1	12	FIXED LEG B5631A4-M2			53869590	53869590-DRW1	1589.2
1	11	FIXED LEG B5631A4-M1			53827818	53827818-DRW1	1588.4
2	10	HINGE B5631A4-N			53866984	53866984-DRW1	355.1
1	9	END CARRIAGE B5631A4-C			53827813	53827813-DRW1	5142
2	8	SILL BEAM B5631A4-B5			53827812	53827812-DRW1	980.4
1	7	GIRDER, MAIN B5631A4-B2			53827810	53827810-DRW1	5512
1	6	GIRDER, MAIN B5631A4-B1			53827808	53827808-DRW1	5512
1	5	LADDER B5631A4-A10			53877107	53877107-DRW1	85.89
1	4	LADDER B5631A4-A9			53875776	53875776-DRW1	161.4
1	3	LADDER B5631A4-A8			53874846	53874846-DRW1	175.3
1	2	SERVICE PLAT B5631A4-A7			53827807	53827807-DRW1	162.5
1	1	SERVICE PLAT B5631A4-A1			53827806	53827806-DRW1	1832.16

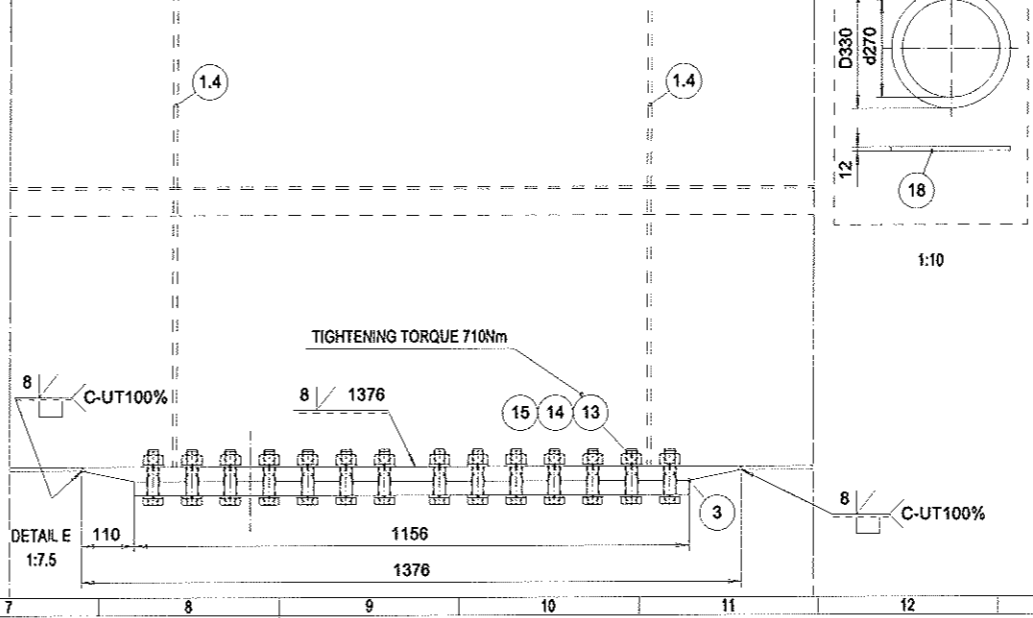
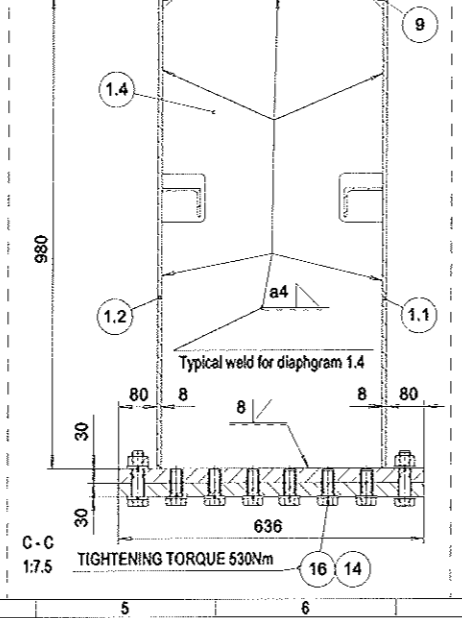
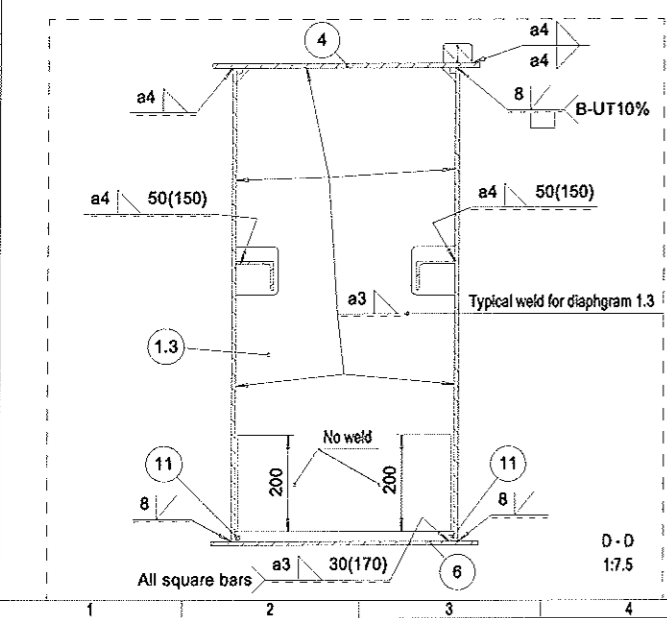
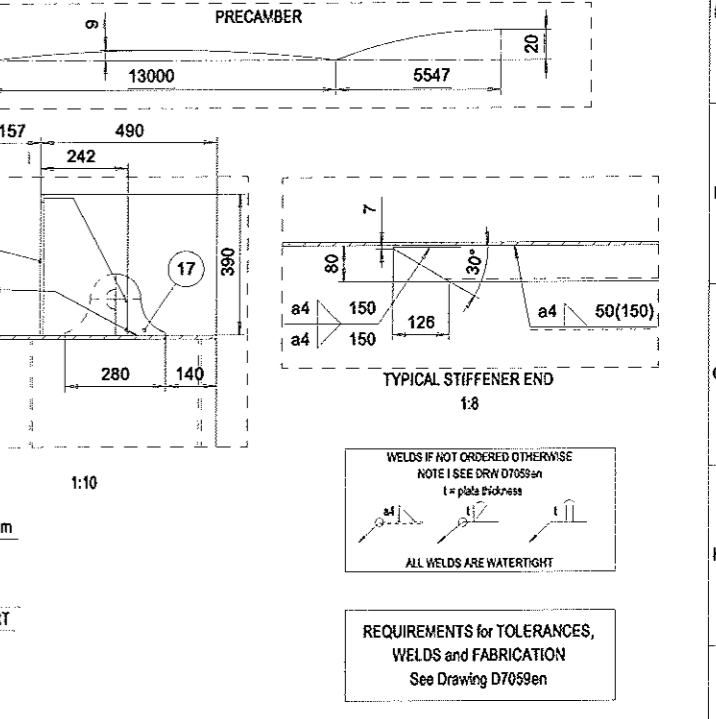
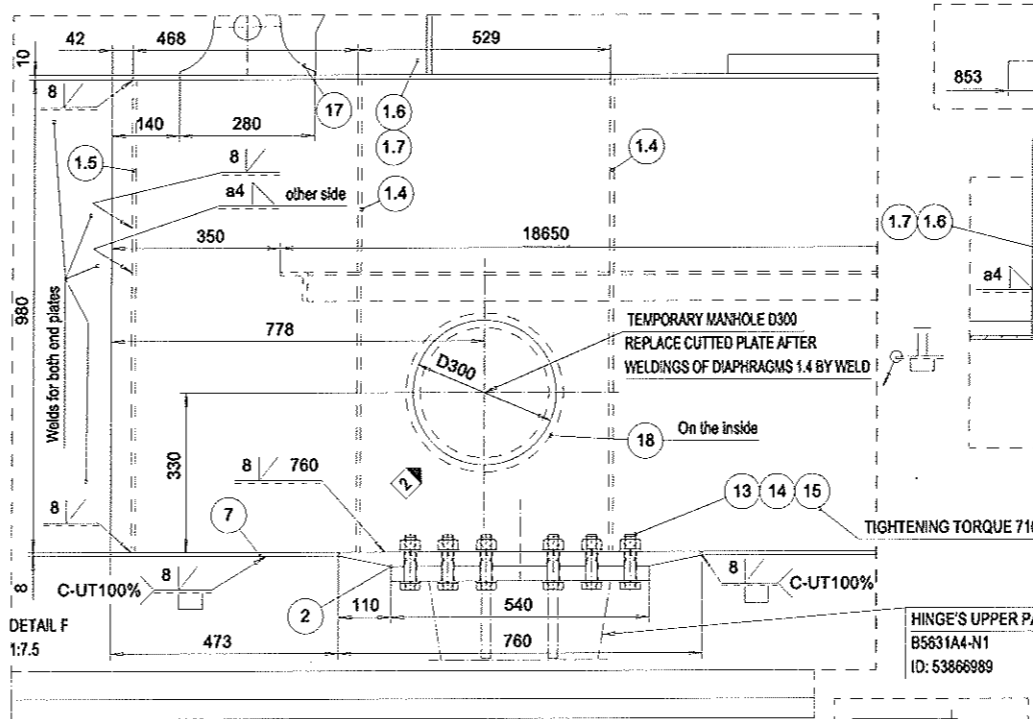
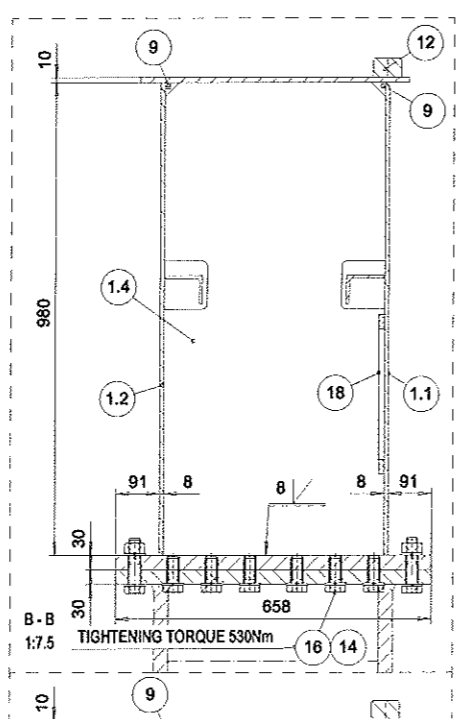
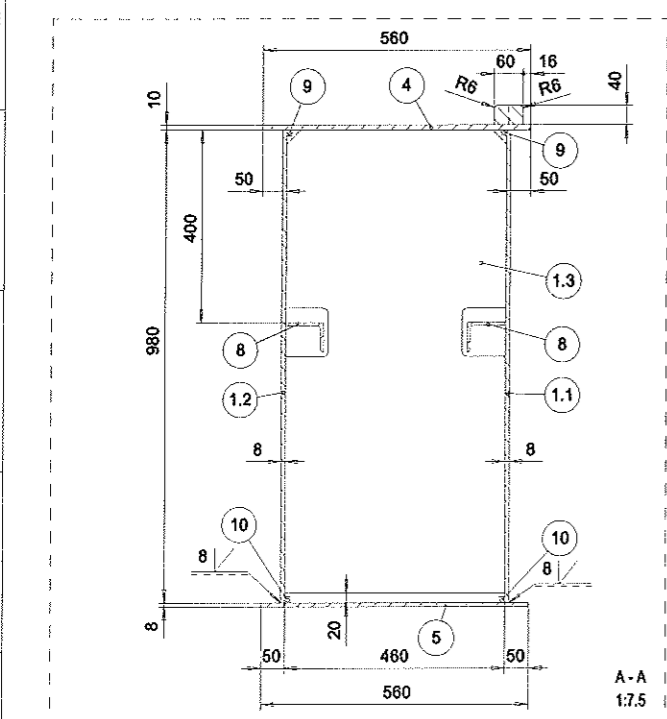
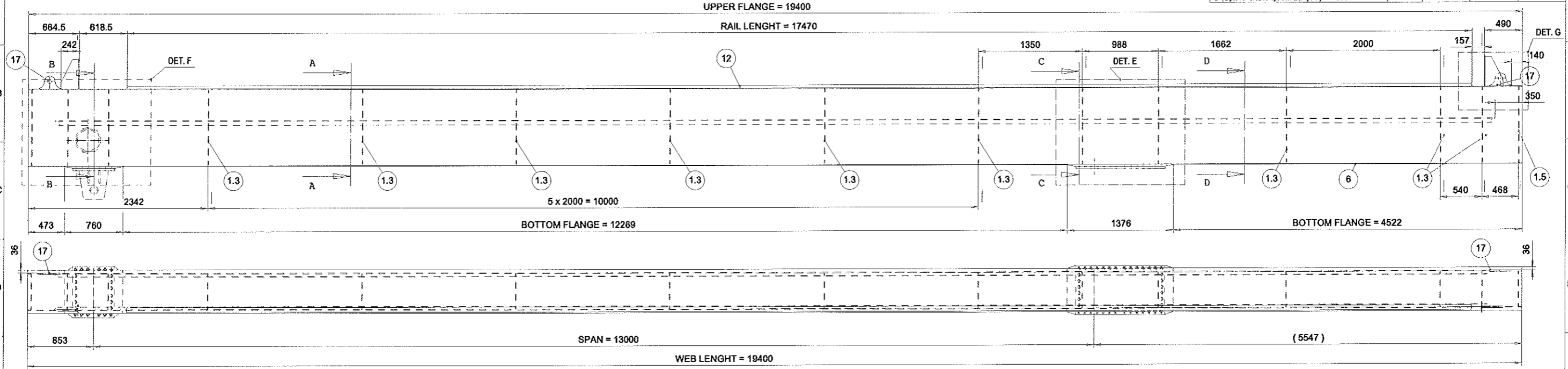
APPROVED	DATE	DEPARTMENT	SIZE
kiiii	2017-04-04	Engineering.BL ICS	A2
CHECKED	DATE	TITLE	SCALE
rej-kur	2017-04-03	STEEL STRUCTURE	1 : 65
DESIGN	DATE	KEYWORDS	
kiiii	2016-12-22	SPAN 13	
KONECRANES		SPECIFICATION	ITEM ID
		B5631A4-A	53827805
			DRAWING ID
			53827805-DRW1
			REV
			3

This document and the information contained herein, is the exclusive property of Konecranes Global Corporation and represents a non-public, confidential and proprietary trade secret that may not be reproduced, disclosed to third parties, altered or otherwise employed in any manner whatsoever without the express written consent of Konecranes Global Corporation. ©2016 Konecranes. All rights reserved.

REQUIREMENTS for TOLERANCES, WELDS and FABRICATION
 See Drawing D7059en

53827808-DRW1

REV.	CHANGE DESCRIPTION	ECN	DATE	REVISED BY	APPROVED BY
1	Approved for production		2016-12-22	kjsi	kjsi
2	2 pcs. removed from part 1.4 & temporary manhole added		2017-04-24	salomol	varikata



NO.	DESCRIPTION	SPECIFICATION	WIDTH	LENGTH	ITEM ID	DRAWING	WEIGHT
1	PLATE	EN10029-PL12-S275J2+N	330	330	02912053		2.67
2	LIFTING EYE	D5560-2-K			03194062	53190943-DRW1	4
2A	SCREW	ISO4017-M24X20-8-BU-TZN			02758927		0.3
4	NUT	ISO4032-M24-8-TZN			02759044		0.11
10A	WASHER	ISO7089-25-200HV-TZN			02678252		0.03
4	BOLT	ISO4014-M24X100-8-BU-TZN			02758977		0.45
1	RAIL	FL60X40-S355J2		17470	02638870		331
2	BAR, SQUARE	EN10059-4X12-S275JR		4482	02600920		5
2	BAR, SQUARE	EN10059-4X12-S275JR		12430	02600920		14.2
2	BAR, SQUARE	EN10059-4X12-S275JR		18950	02600920		21.5
2	PROFILE, LPR	EN10058-L80X60X8-S275JR		16550	0268185		118
1	PLATE	EN10029-PL8-S275J2+N	560	473	02812851		16.6
1	PLATE	EN10029-PL8-S275J2+N	560	4522	02812851		159
1	PLATE	EN10029-PL8-S275J2+N	560	12289	02812851		434.2
1	PLATE	EN10029-PL10-S275J2+N	560	19420	02812852		852.82
1	PLATE SET	B5631A4-B1-OP3			03066095	53888098-DRW1	361.6
1	PLATE SET	B5631A4-B1-OP2			03066063	53888063-DRW1	183.1
1	PLATE SET	B5631A4-B1-OP1			03827809	53827809-DRW1	2812

5512

NO.	DESCRIPTION	SPECIFICATION	WIDTH	LENGTH	ITEM ID	DRAWING	WEIGHT
1	PLATE	EN10029-PL12-S275J2+N	330	330	02912053		2.67
2	LIFTING EYE	D5560-2-K			03194062	53190943-DRW1	4
2A	SCREW	ISO4017-M24X20-8-BU-TZN			02758927		0.3
4	NUT	ISO4032-M24-8-TZN			02759044		0.11
10A	WASHER	ISO7089-25-200HV-TZN			02678252		0.03
4	BOLT	ISO4014-M24X100-8-BU-TZN			02758977		0.45
1	RAIL	FL60X40-S355J2		17470	02638870		331
2	BAR, SQUARE	EN10059-4X12-S275JR		4482	02600920		5
2	BAR, SQUARE	EN10059-4X12-S275JR		12430	02600920		14.2
2	BAR, SQUARE	EN10059-4X12-S275JR		18950	02600920		21.5
2	PROFILE, LPR	EN10058-L80X60X8-S275JR		16550	0268185		118
1	PLATE	EN10029-PL8-S275J2+N	560	473	02812851		16.6
1	PLATE	EN10029-PL8-S275J2+N	560	4522	02812851		159
1	PLATE	EN10029-PL8-S275J2+N	560	12289	02812851		434.2
1	PLATE	EN10029-PL10-S275J2+N	560	19420	02812852		852.82
1	PLATE SET	B5631A4-B1-OP3			03066095	53888098-DRW1	361.6
1	PLATE SET	B5631A4-B1-OP2			03066063	53888063-DRW1	183.1
1	PLATE SET	B5631A4-B1-OP1			03827809	53827809-DRW1	2812

KONECRANES

PRODUCTION: B5631A4-B1

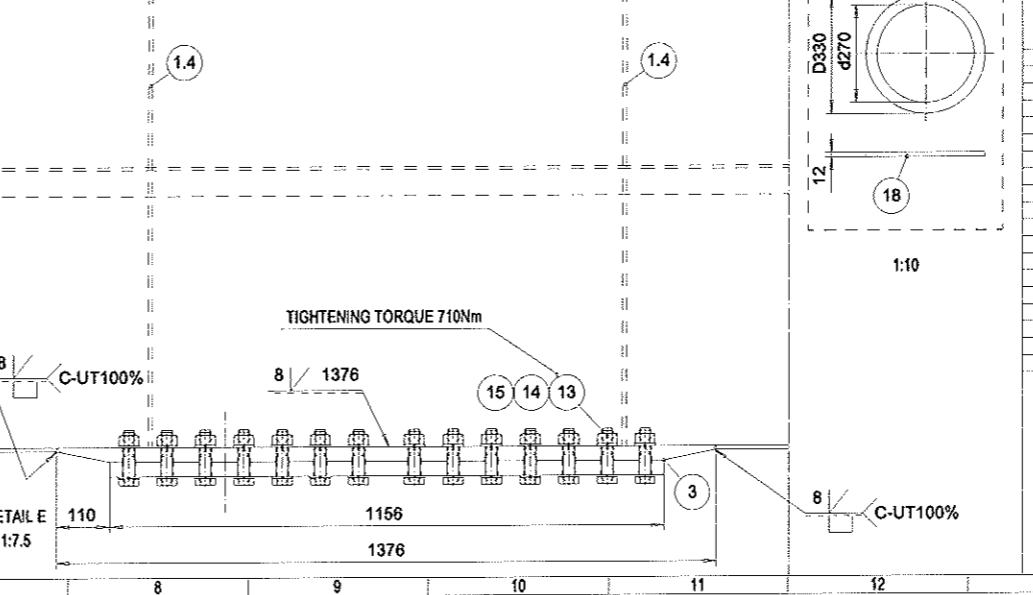
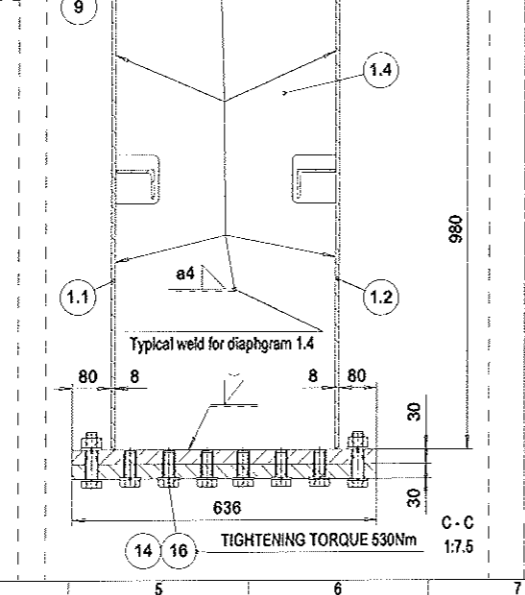
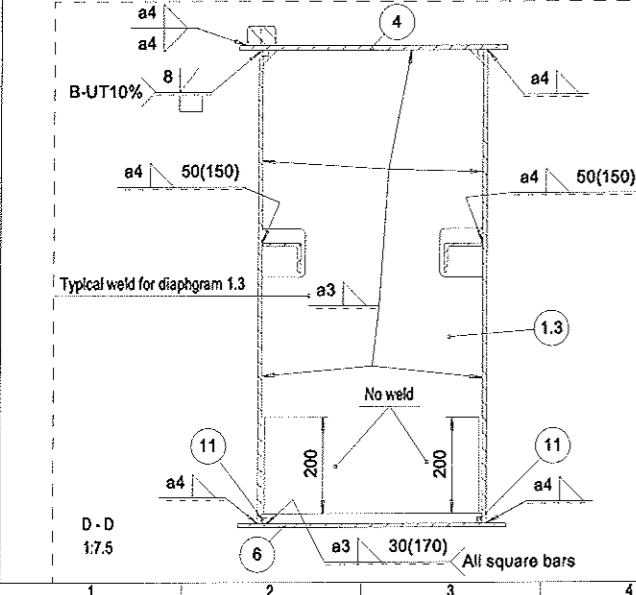
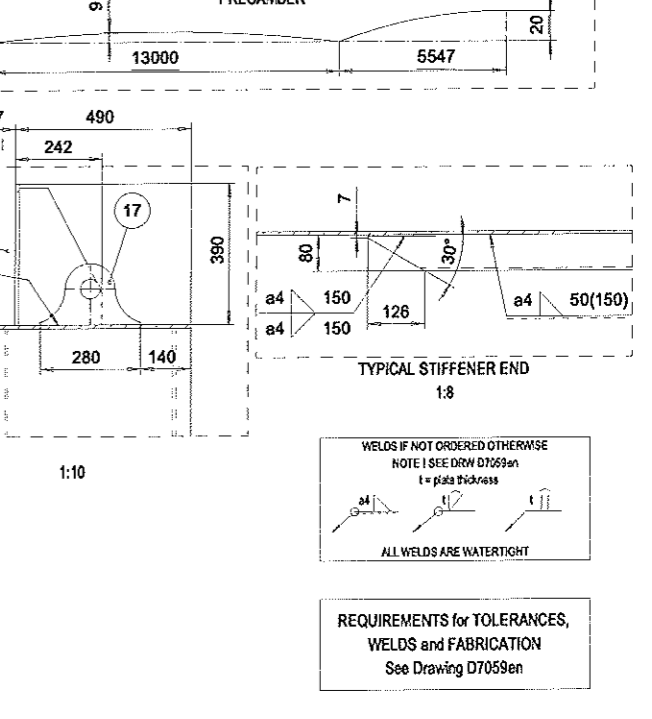
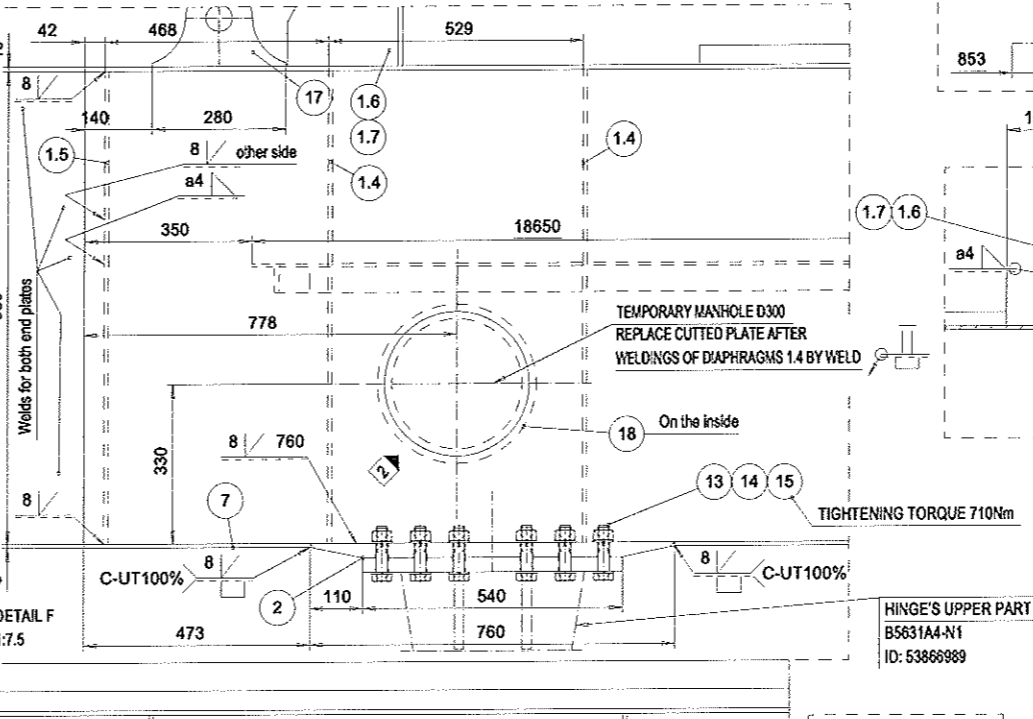
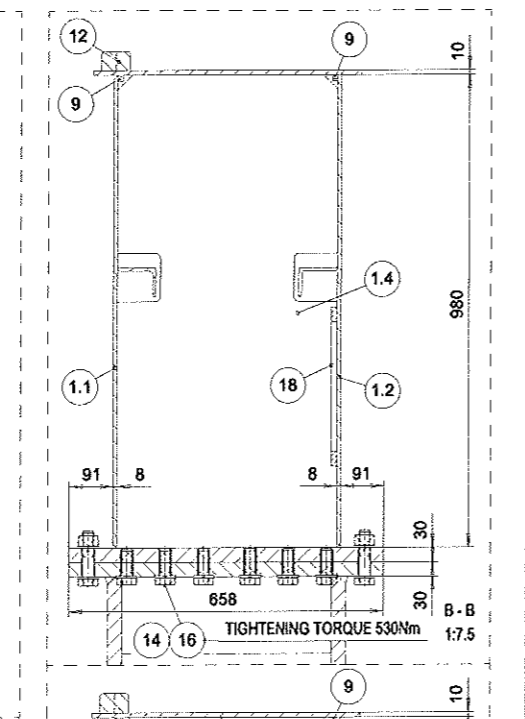
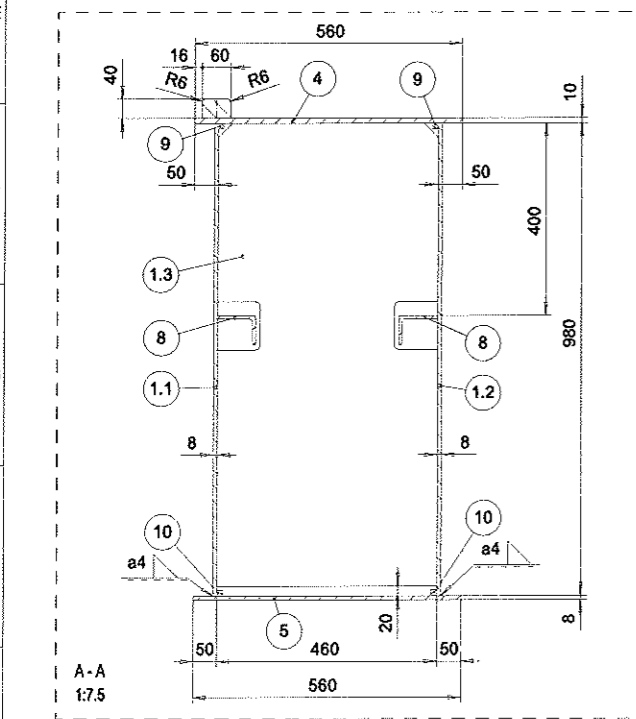
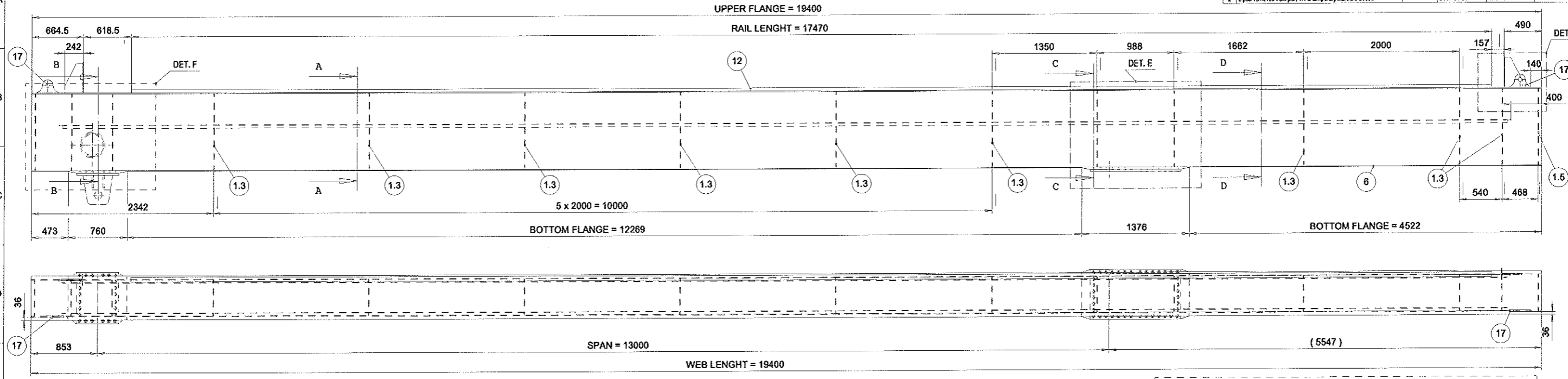
ITEM ID: 53827808

DRAWING NO: 53827808-DRW1

SCALE: 1:25

REV: 2

REV	CHANGE DESCRIPTION	ECN	DATE	REVISED BY	APPROVED BY
1	Approved for production		2016-12-22	LBB	LBB
2	2 pcs. removed from part 1.4 & temporary manhole added		2017-04-24	sajmal	varshu



POS	DESCRIPTION	SPECIFICATION	WIDTH	LENGTH	ITEM ID	DRAWING	WEIGHT kg
1	PLATE	EN10029-PL12-S275/J+N	330	330	52812553		2.67
2	LIFTING EYE	D5593-2K			53194952	53190943-DRAW1	4
3	SCREW	ISO4017-M24X30-8-BU-TZN			52758927		0.3
4	NUT	ISO4032-M24-8-TZN			52759044		0.11
10	WASHER	ISO7083-25-200HV-TZN			52878252		0.03
11	BOLT	ISO4014-M24X100-8-BU-TZN			52758977		0.45
12	RAIL	FL60X40-S355J2	17470		52833870		331
2	BAR, SQUARE	EN10059-4K12-S275/R	4452		52880920		5
2	BAR, SQUARE	EN10059-4K12-S275/R	12490		52880920		14.2
2	BAR, SQUARE	EN10059-4K12-S275/R	18650		52880920		21.5
2	PROFILE, L-PR	EN10056-L80X60X6-S275JR	16650		5288185		118
1	PLATE	EN10029-PL8-S275/J+N	560	473	52812551		15.6
1	PLATE	EN10029-PL8-S275/J+N	560	4522	52812551		159
1	PLATE	EN10029-PL8-S275/J+N	560	12269	52812551		434.2
1	PLATE	EN10029-PL10-S275/J+N	560	19400	52812552		852.82
1	PLATE SET	B5631A4-B1-OP3			53866056	53866056-DRAW1	351.8
1	PLATE SET	B5631A4-B1-OP2			53866063	53866063-DRAW1	183.1
1	PLATE SET	B5631A4-B2-OP1			53827811	53827811-DRAW1	2812

WELDS IF NOT ORDERED OTHERWISE
NOTE 1 SEE DRW D7059n
t = plate thickness
ALL WELDS ARE WATERTIGHT

REQUIREMENTS for TOLERANCES,
WELDS and FABRICATION
See Drawing D7059n

APPROVED	DATE	APPROVED	DATE	APPROVED	DATE	APPROVED	DATE	APPROVED	DATE
KOH	2017-04-04	Engineering	BL	ICS					
rej-kur	2017-02-28								
LBB	2016-12-22								

KONECRANES

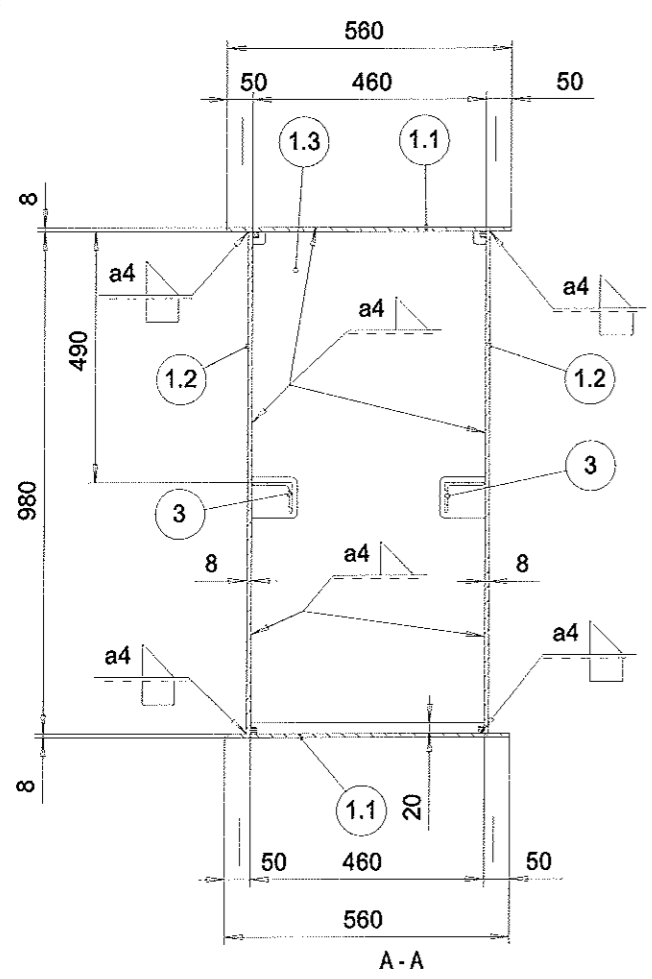
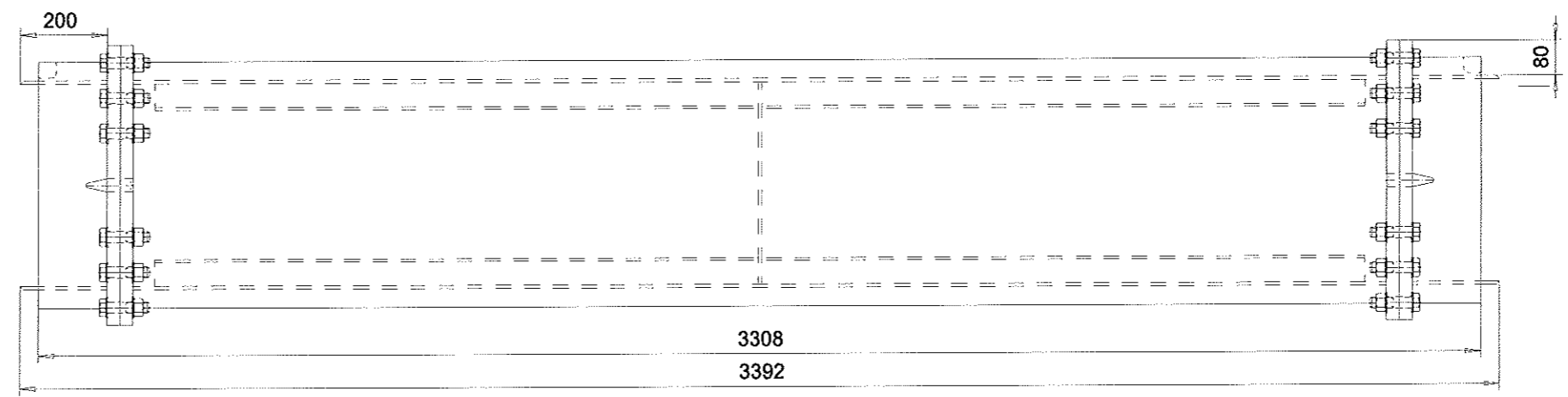
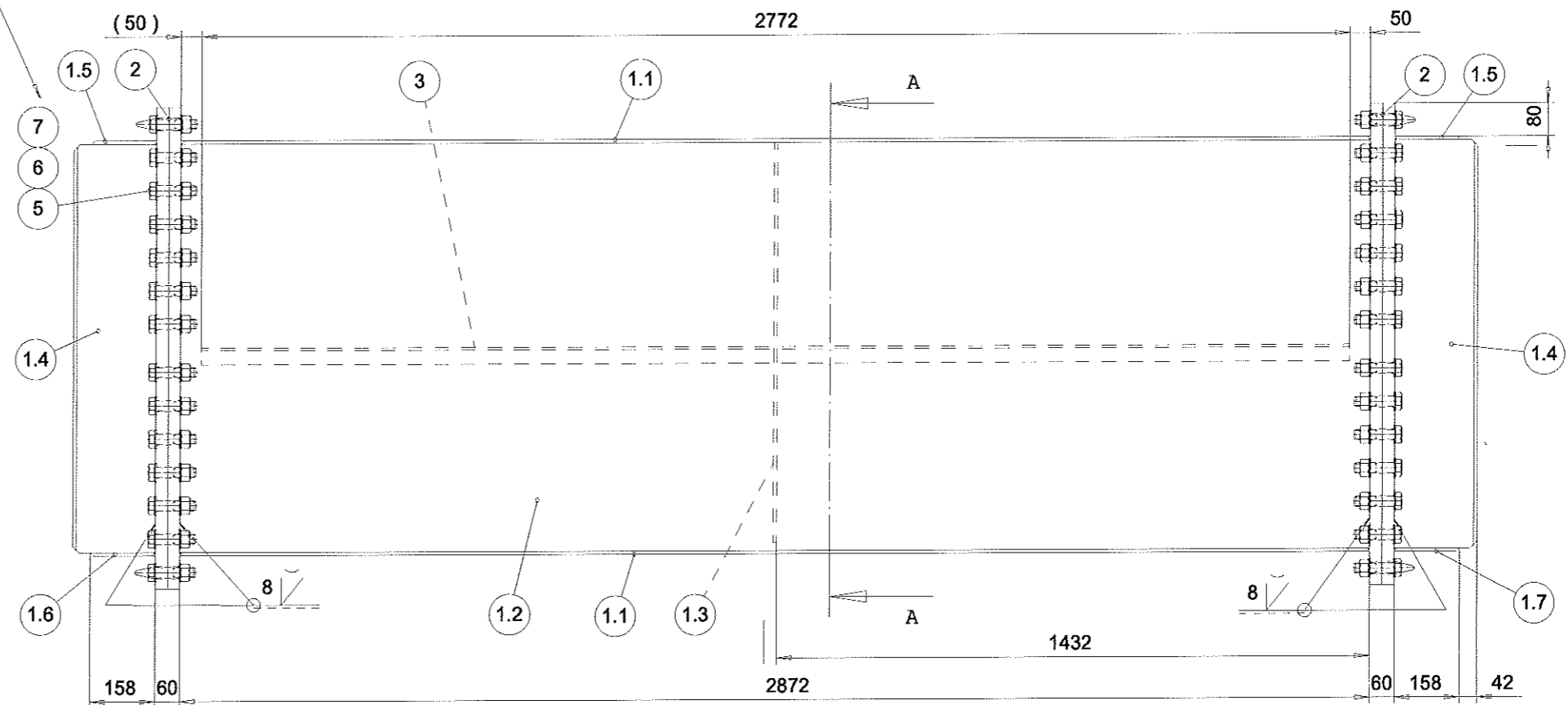
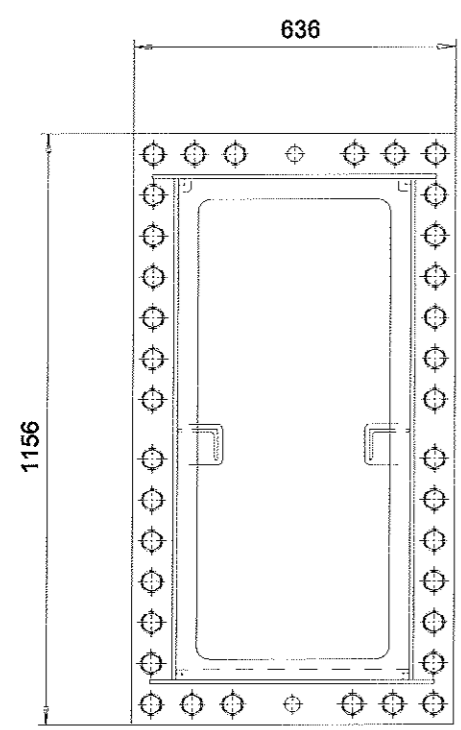
PRODUCT PROJECT REFERENCE
B5631A4-B2

53827810
53827810-DRW1
2

53827812-DRW1

REV	CHANGE DESCRIPTION	ECN	DATE	REVISED BY	APPROVED BY
1	Approved for production		2016-12-22	klur	klur

TIGHTENING TORQUE 710Nm



WELDS IF NOT ORDERED OTHERWISE
NOTE 1 SEE DRW D7059en
t = plate thickness

ALL WELDS ARE WATERTIGHT

REQUIREMENTS for TOLERANCES,
WELDS and FABRICATION
See Drawing D7059en

POS	DESCRIPTION	SPECIFICATION	WIDTH	LENGTH	ITEM ID	DRAWING	WEIGHT kg
-1							
144	7	WASHER	ISO7089-25-200HV-TZN		52678252		0.03
72	6	NUT	ISO4032-M24-8-TZN		52759044		0.11
72	5	SCREW	ISO4017-M24X100-8.8U-TZN		52806394		0.42
4	4	BAR; SQUARE	EN10059-4K12-S275JR	2872	52880920		3.25
2	3	PROFILE; L-PR	EN10056-L80X60X6-S275JR	2772	52886185		14.99
1	2	PLATE SET	B5631A4-B5-OP2		53861372	53861372-DRW1	310.5
1	1	PLATE SET	B5631A4-B5-OP1		53861359	53861359-DRW1	584.42

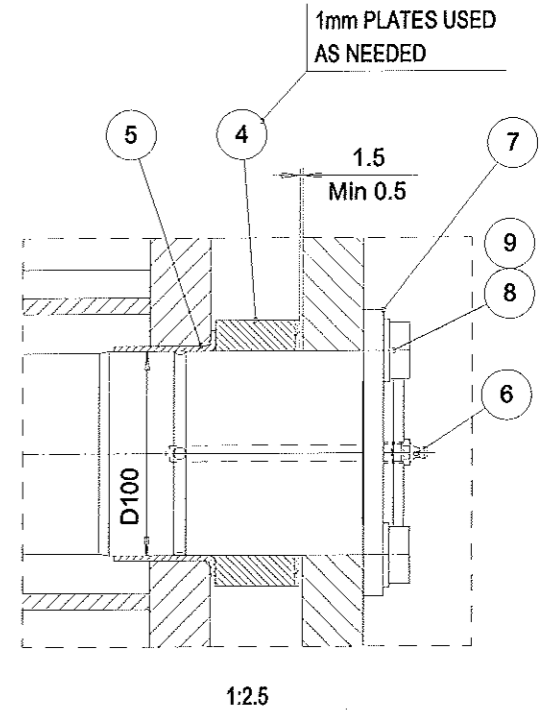
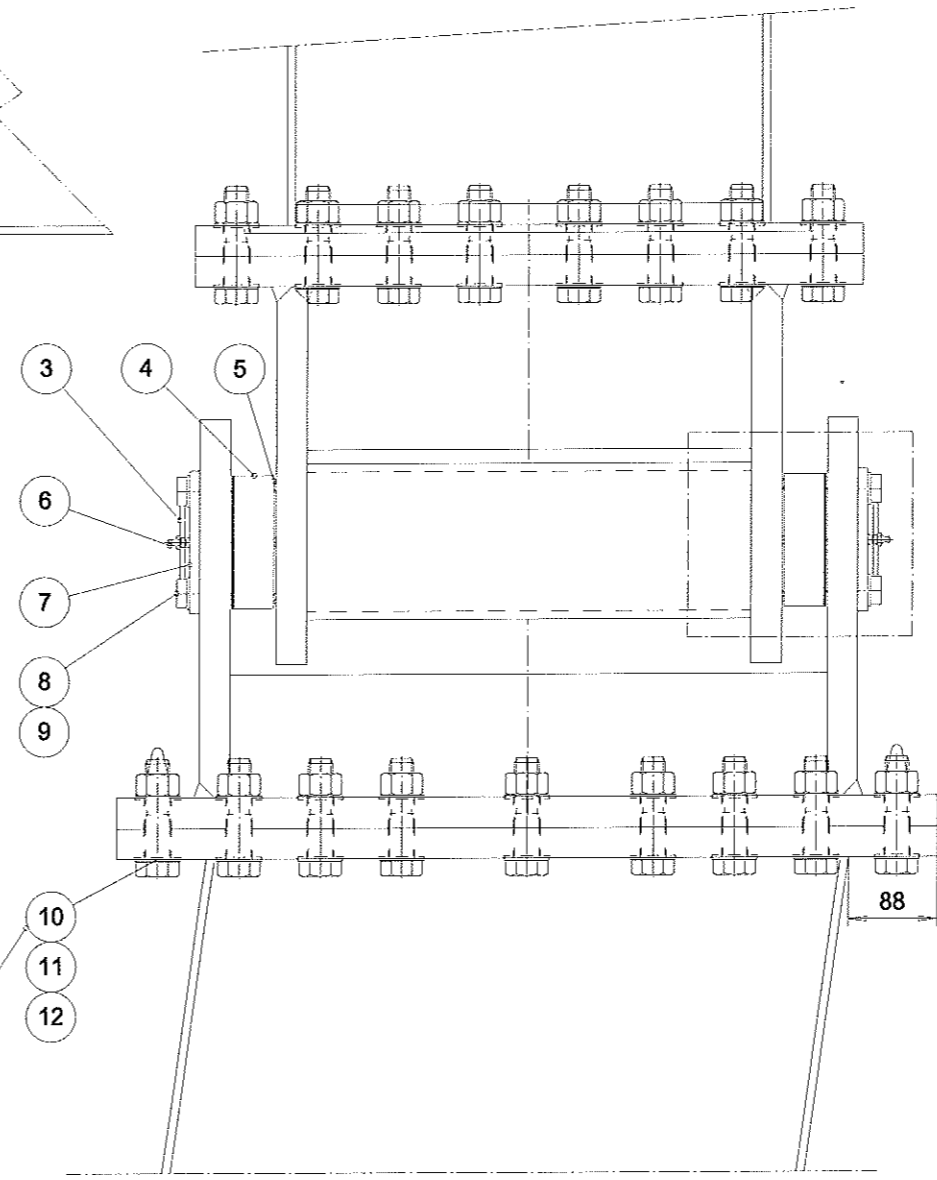
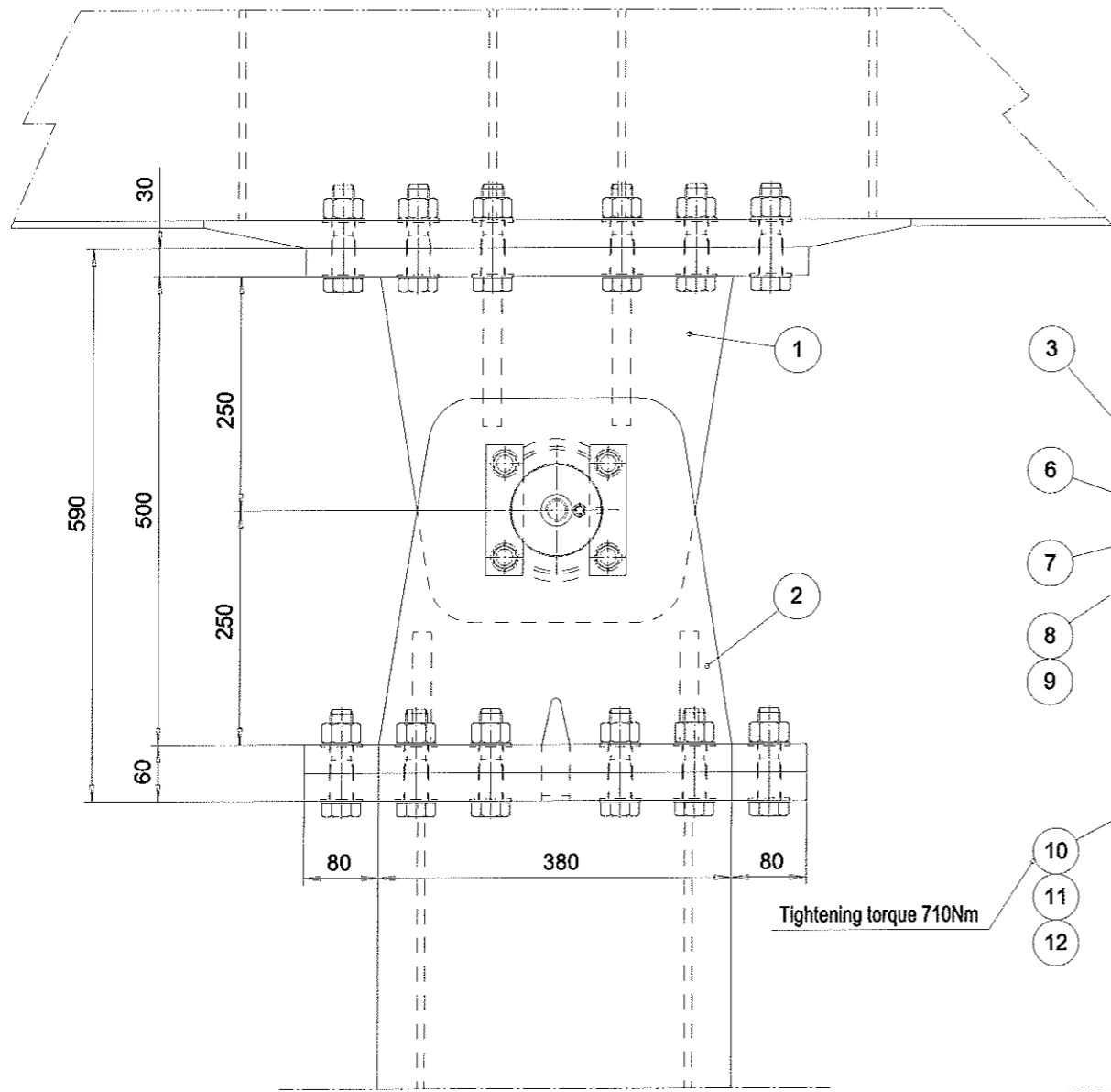
APPROVED	DATE	DEPARTMENT	TITLE	SCALE
klur	2017-04-04	Engineering.BL ICS	SILL BEAM	1:10
rej-klur	2017-02-28			
klur	2016-12-22			

PRODUCT / PROJECT REFERENCE	ITEM ID	WEIGHT
KONECRANES	53827812	584.42
SPECIFICATION	53827812-DRW1	1
B5631A4-B5		

This document and the information contained herein, is the exclusive property of Konecranes Global Corporation and represents a non-public, confidential and proprietary trade secret that may not be reproduced, disclosed to third parties, altered or otherwise used in any manner without the express written consent of Konecranes Global Corporation. ©2016 Konecranes. All rights reserved.

53866984-DRW1

REV	CHANGE DESCRIPTION	ECN	DATE	REVISED BY	APPROVED BY
1	Approved for production		2017-02-20	rej-klur	klur



This document and the information contained herein, is the exclusive property of Konecranes Global Corporation and represents a non-public, confidential and proprietary trade secret that may not be reproduced, disclosed to third parties, stored or otherwise employed in any manner whatsoever without the express written consent of Konecranes Global Corporation. ©2017 Konecranes. All rights reserved.

REQUIREMENTS for TOLERANCES,
WELDS and FABRICATION
See Drawing D7059en

POS	DESCRIPTION	SPECIFICATION	WIDTH	LENGTH	ITEM ID	DRAWING	WEIGHT kg
-1							355.1
26	12	NUT	ISO4032-M24-8-TZN		52759044		0.11
52	11	WASHER	ISO7089-25-200HV-TZN		52878252		0.03
26	10	BOLT	ISO4014-M24X100-8.8U-TZN		52758977		0.46
8	9	WASHER	ISO7089-17-200HV-TZN		52759216		0.01
8	8	SCREW	ISO4017-M18X40-8.8U-TZN		52759028		0.09
4	7	AXLE HOLDER	DIN15058-40X10		60003051		0.4
2	6	GREASE NIPPL	DIN71412-AM10X1		52490764		0.01
2	5	BEARING; SLID	WF-WB800-100-105-120X50		52866259		0.05
2	4	DISTANCE SLE	B5631A4-N-OP2		53867680	53867680-DRW1	0.42
1	3	AXLE	B5631A4-N-OP1		53866991	53866991-DRW1	46.5
1	2	LOWER SUPPO	B5631A4-N2		53866990	53866990-DRW1	214.86
1	1	UPPER SUPPO	B5631A4-N1		53866989	53866989-DRW1	74

APPROVED	DATE	DEPARTMENT	SIZE
klur	2017-04-04	Engineering.BL ICS	A2
CHECKED	DATE	TITLE	SCALE
rej-klur	2017-02-28	HINGE	1:5
DESIGN	DATE	KEYWORDS	
rej-klur	2017-02-20	-	
PRODUCT / PROJECT REFERENCE			ITEM ID
			53866984
SPECIFICATION			DRAWING ID
B5631A4-N			53866984-DRW1
			REV
			1

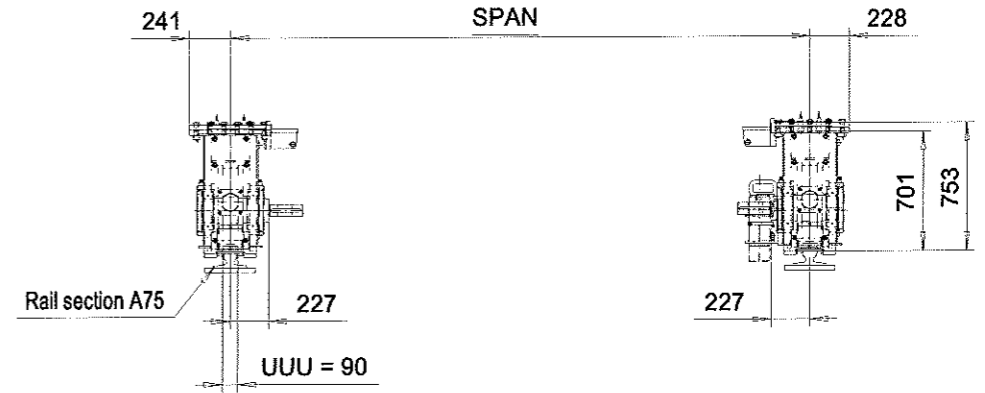
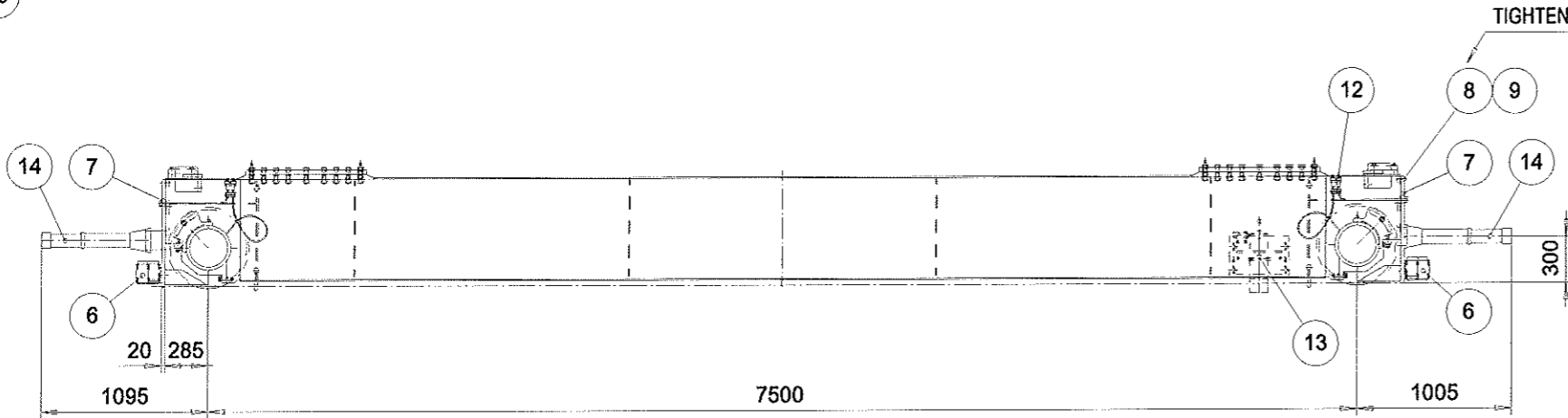
KONECRANES

ITEM ID
53866984
DRAWING ID
53866984-DRW1
REV
1

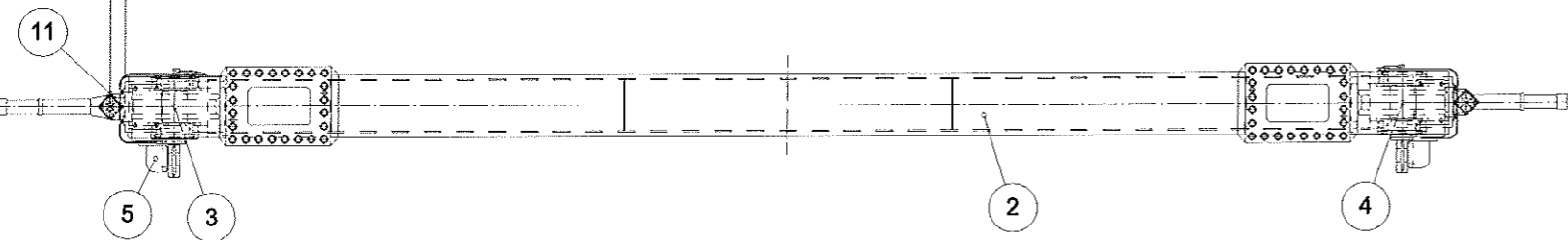
REV	CHANGE DESCRIPTION	ECN	DATE	REVISED BY	APPROVED BY
1	Approved for production		2016-12-22		

REQUIREMENTS for FABRICATION
See Drawing SHR-OP123

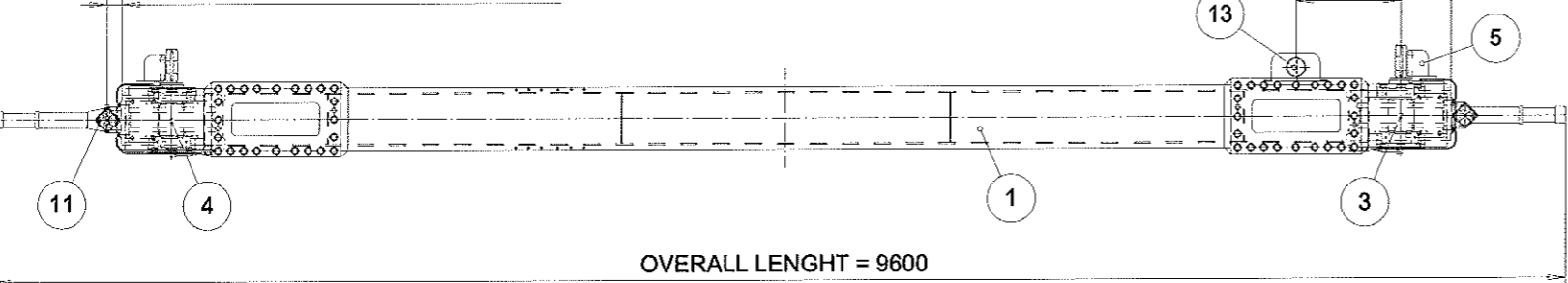
53827813-DRW1



BUFFER EXTENSION LENGHT = 90



BUFFER EXTENSION LENGHT = 90



SPAN = 13000

5142

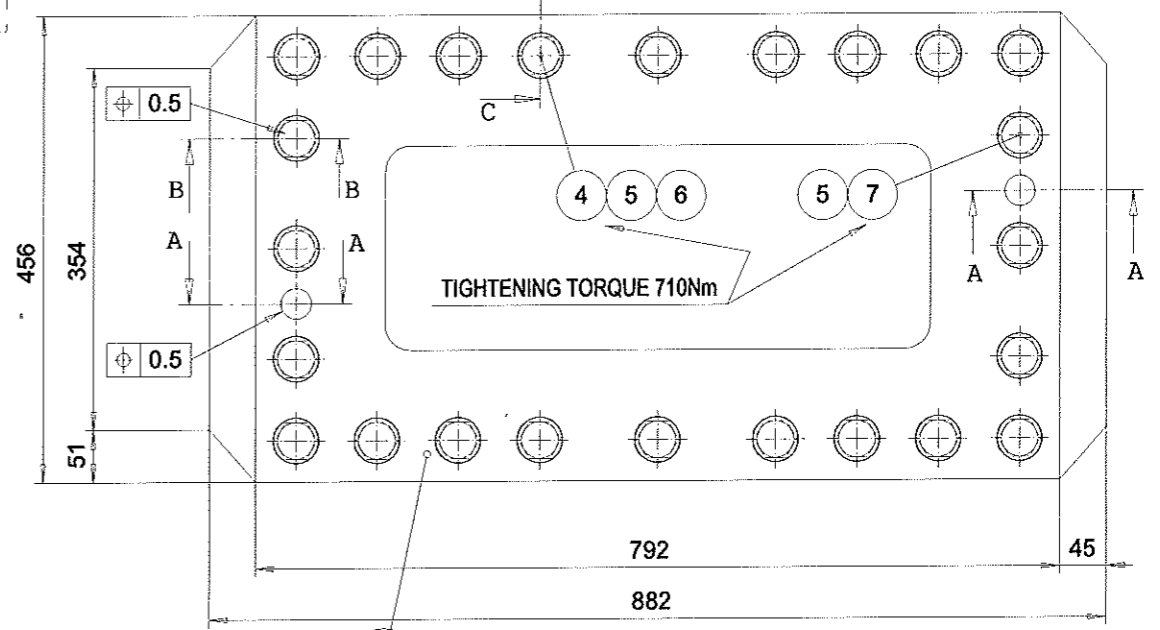
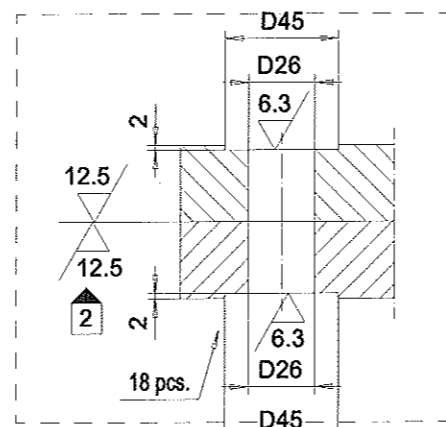
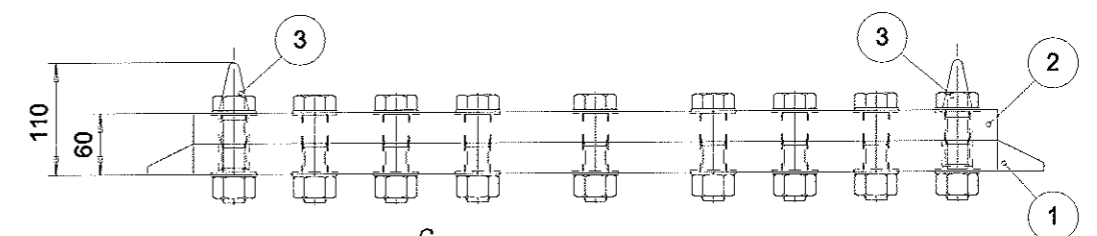
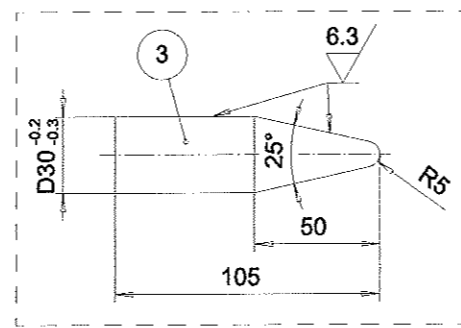
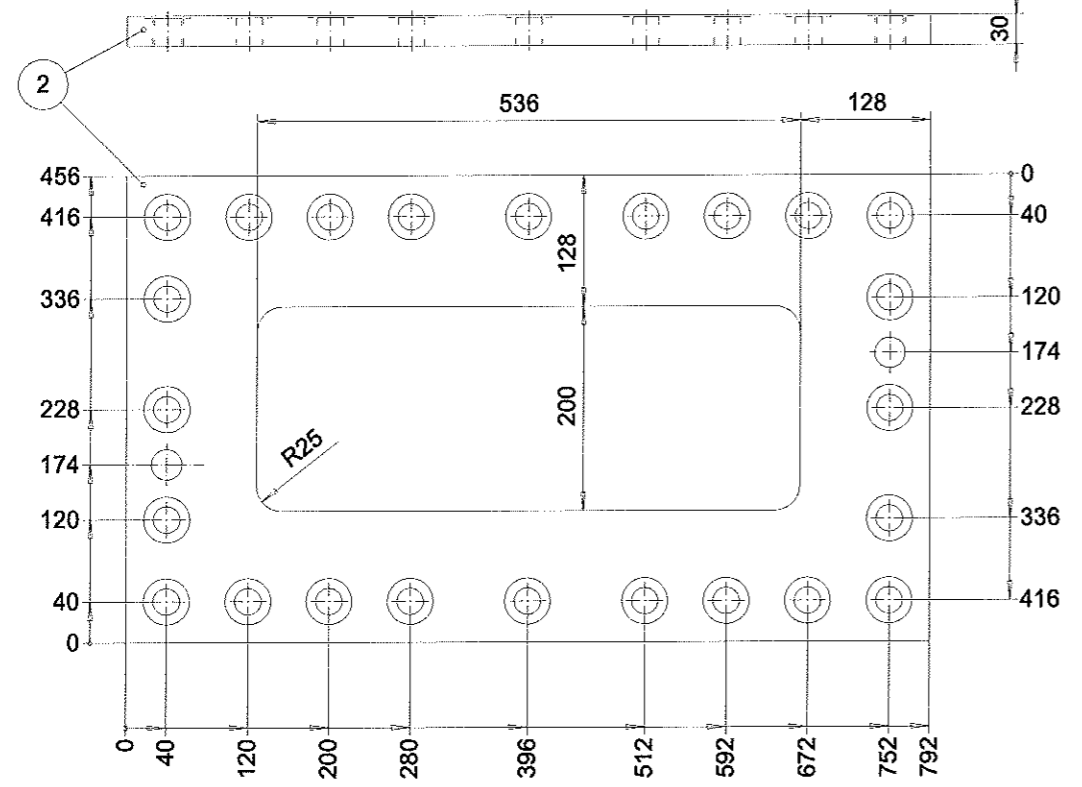
POS	DESCRIPTION	SPECIFICATION	WIDTH	LENGTH	ITEM ID	DRAWING	WEIGHT kg
4	14	BUFFER; HYDR			21MJM-100-206-Q3A	53861289	21.6
1	13	STORM LOCK D			B5631A4-SHR50SL-1;L=640	53863875	53863875-DRW1 76.14
1	12	LUBRICATION U			B5631A4-SHR-LU22P1-75	53863884	53863884-DRW1 0.08
2	11	BUFFER EXTEN			B5631A4-SHR-BE-6	53863772	53863772-DRW1 5.44
1	10	MANUFACTURI			SHR-OP123	53288334	SHR-OP123
16	9	WASHER			DIN6916-17-300HV-TZN	52820419	0.01
16	8	SCREW			DIN933-M16X50-8.8U-TZN	60026832	
4	7	END PLATE			SHR50-75-OP6-1	53863839	53863839-DRW1 42.3
4	6	RAIL BRUSH			SHR-RC-1	53154974	5.6
1	5	TORQUE ARM			SHR50-MTQ-07-75	53865454	53865454-DRW1 101
2	4	TRAVEL WHEEL			LHJ5-94-2-90-075-R	53245734	53245734-VXP1 358.75
2	3	TRAVEL WHEEL			LHJ5-94-2-90-075-L	53245731	53245731-VXP1 358.75
1	2	END CARRIAGE			B5631A4-C2	53827816	53827816-DRW1 1607.64
1	1	END CARRIAGE			B5631A4-C1	53827814	53827814-DRW1 1633

APPROVED	DATE	DEPARTMENT	ITEM ID	WEIGHT
KIIIH	2017-03-09	Engineering, BL ICS	53827813	1633
CHECKED	DATE	TITLE	DRAWING ID	REV
KIIIH	2016-12-22	END CARRIAGE	53827813-DRW1	1
DESIGN	DATE	KEYWORDS	PRODUCT / PROJECT REFERENCE	SCALE
KIIIH	2016-12-22			1 : 30
KONECRANES		SPECIFICATION	UNIT	
		B5631A4-C	mm	

This document and the information contained herein, is the exclusive property of Konecranes Global Corporation and represents a non-public, confidential and proprietary trade secret that may not be reproduced, disclosed to third parties, altered or otherwise used in any manner without the express written consent of Konecranes Global Corporation. ©2016 Konecranes, All Rights Reserved.

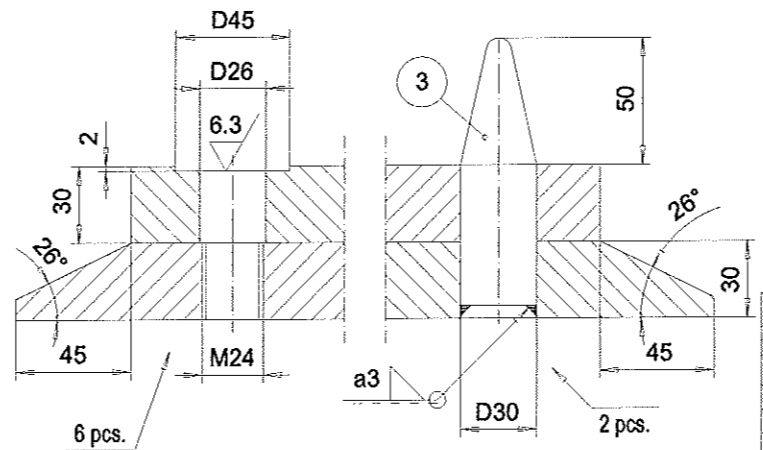
53862541-DRW1

REV	CHANGE DESCRIPTION	ECN	DATE	REVISED BY	APPROVED BY
1			2017-02-10	salomol	killill
2	Machining and plate inspection changed		2017-04-03	salomol	killill



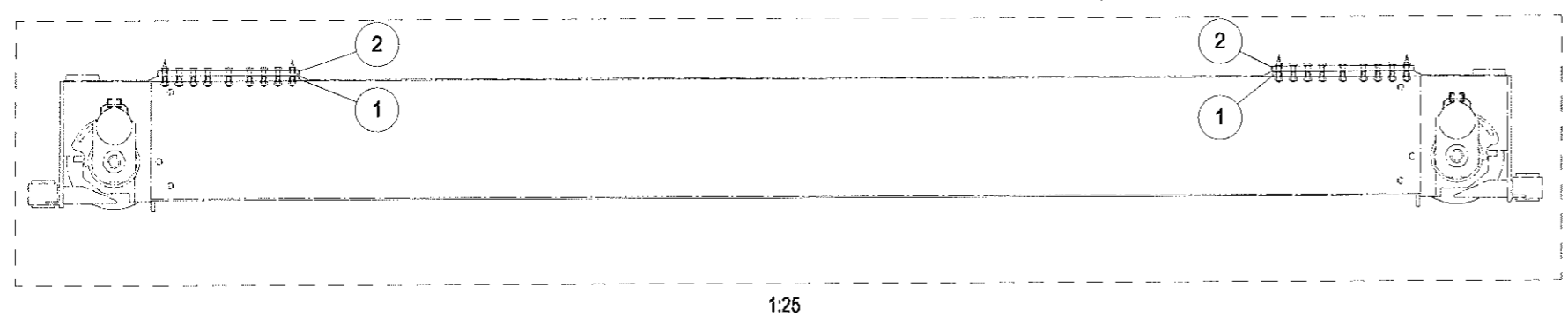
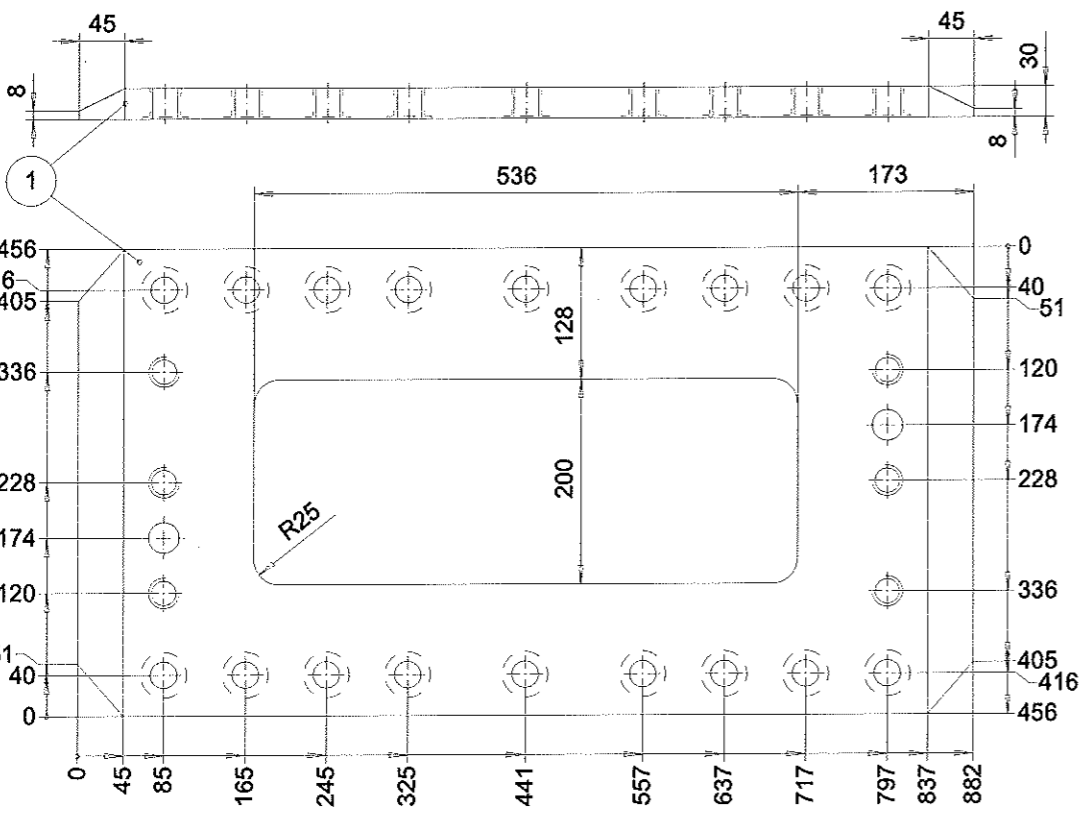
C - C (1:2) without screws

NOTE!
PLATES TO BE DRILLED TOGETHER.



B - B (1:2) without screws

A - A (1:2) without screws

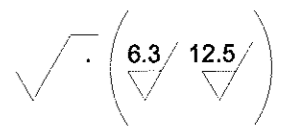


1:25

UT

PLATES TO BE INSPECTED FOR LAMELLAR DEFECTS, SEE DRAWING D7059

REQUIREMENTS for TOLERANCES, WELDS and FABRICATION See Drawing D7059en



POS	DESCRIPTION	SPECIFICATION	WIDTH	LENGTH	ITEM ID	DRAWING	WEIGHT kg
-1							240.7
12	7	SCREW			DIN933-M24X60-A4-80		52712972
36	6	HEXAGONAL N			DIN934-M24-A4-80		52490962
64	5	WASHER			DIN125A-25-140HV-A4		52820389
36	4	SCREW			DIN931-M24X90-A4-80		52878380
4	3	BAR; ROUND B		110	EN10278-D32H9-S355J2+N		53347936
2	2	PLATE	456	792	EN10029-PL30-S355J2+N		52252809
2	1	PLATE	456	882	EN10029-PL30-S355J2+N		52252809

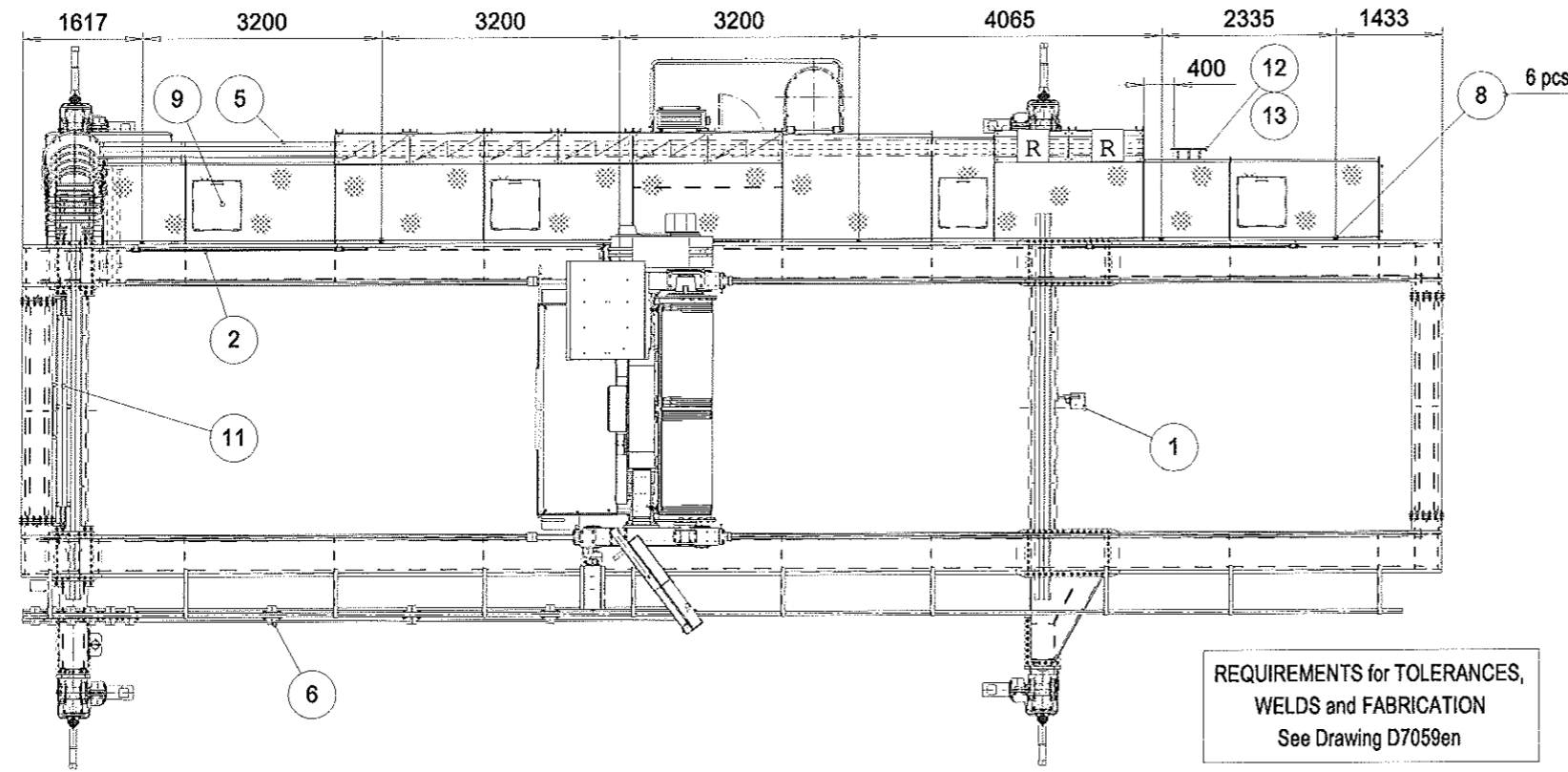
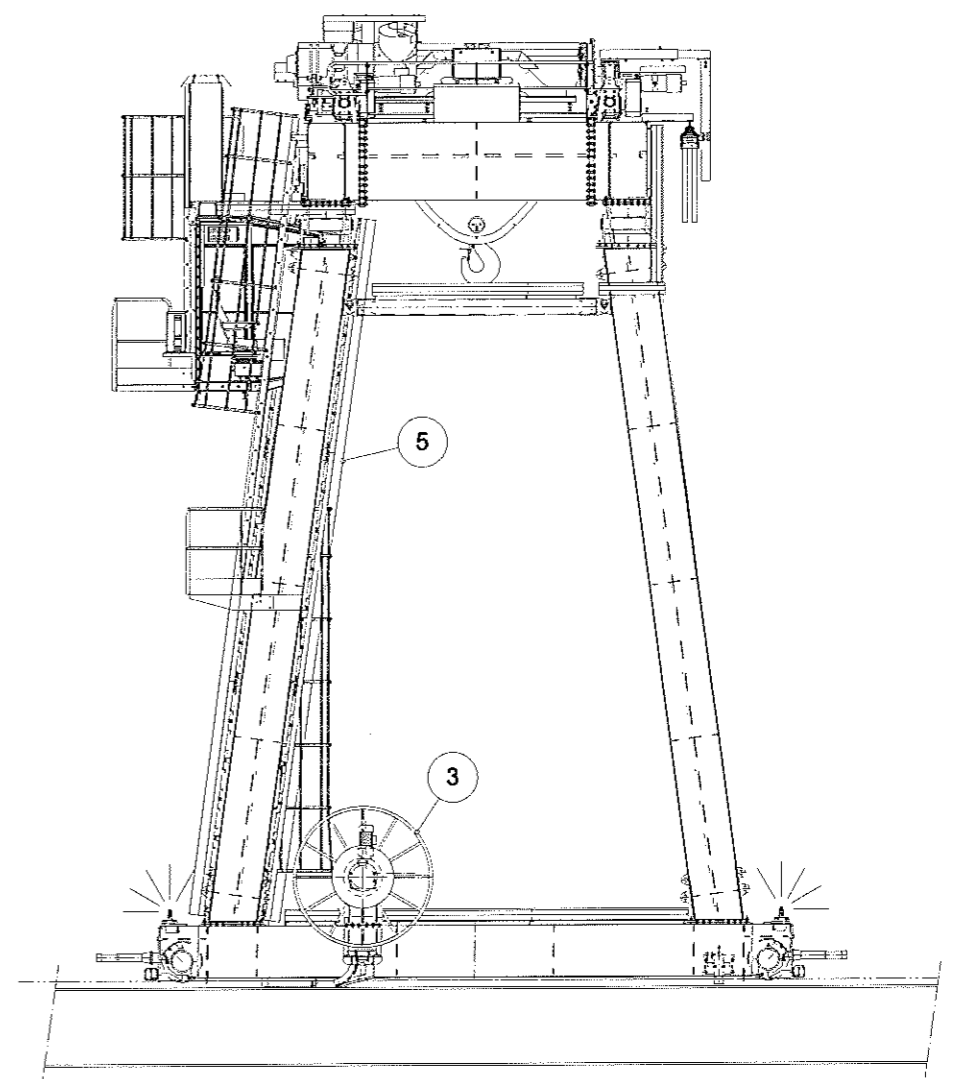
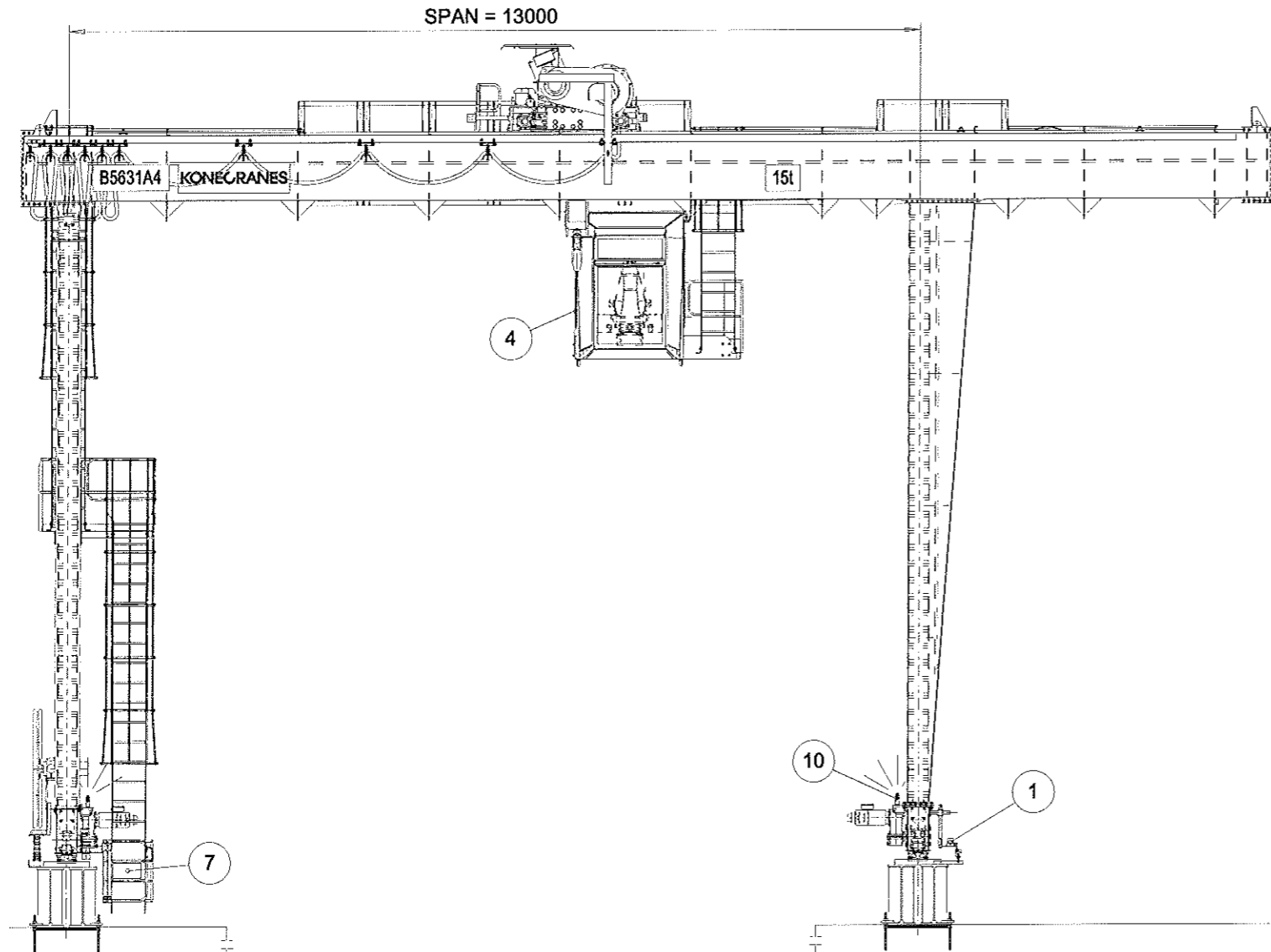
APPROVED	DATE	DEPARTMENT	ITEM ID
killill	2017-03-09	Engineering.BL ICS	53862541
CHECKED	DATE	TITLE	DRAWING ID
rej-klur	2017-02-28	PLATE SET	53862541-DRW1
DESIGN	DATE	KEYWORDS	REV
salomol	2017-02-10		2

PRODUCT / PROJECT REFERENCE	SPECIFICATION
KONECRANES	B5631A4-SHR50-75-1-OP1

This document and the information contained herein, is the exclusive property of Konecranes Global Corporation and represents a non-public, confidential and proprietary base. It is not to be reproduced, disclosed to third parties, stored or otherwise employed in any manner whatsoever without the express written consent of Konecranes Global Corporation. ©2017 Konecranes. All rights reserved.

53827824-DRW1

REV	CHANGE DESCRIPTION	ECN	DATE	REVISED BY	APPROVED BY
1	Approved for production		2016-12-22	klm	klm



REQUIREMENTS for TOLERANCES,
WELDS and FABRICATION
See Drawing D7059en

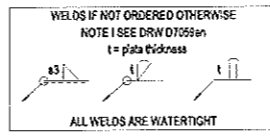
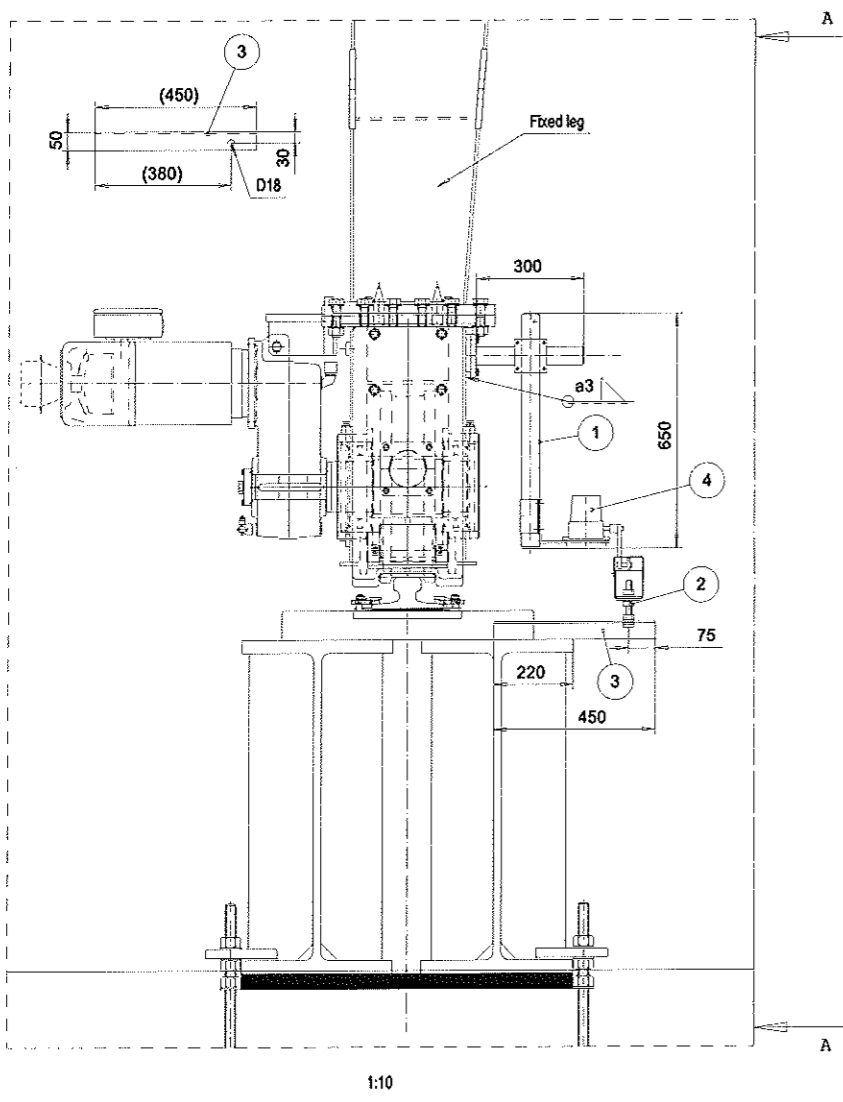
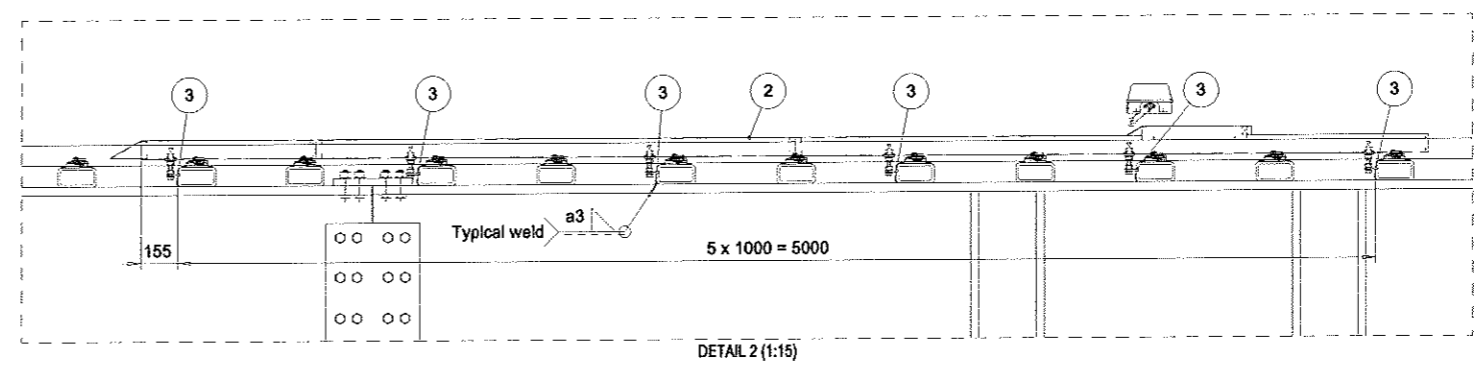
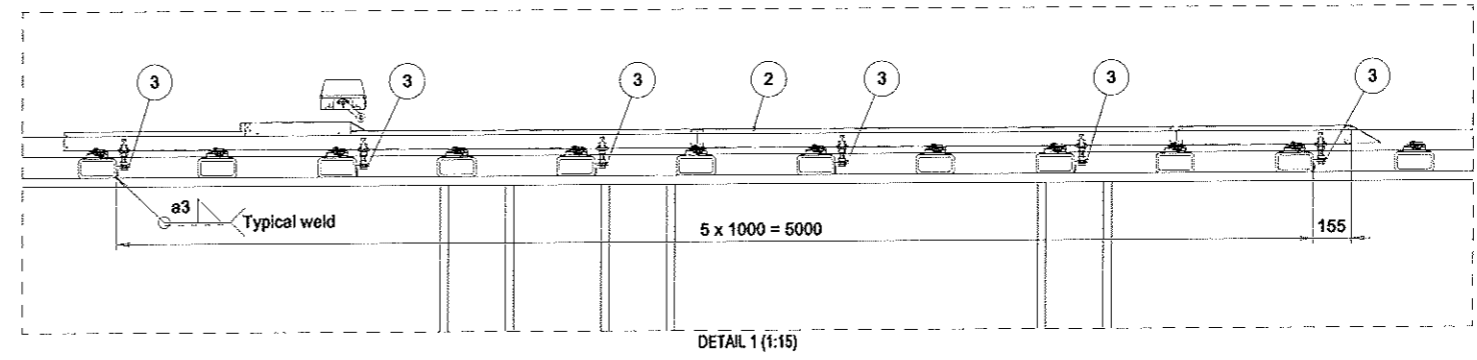
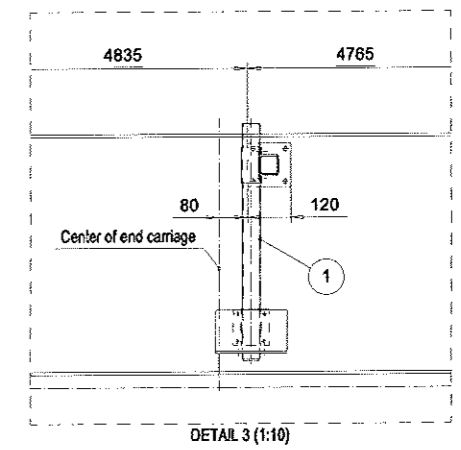
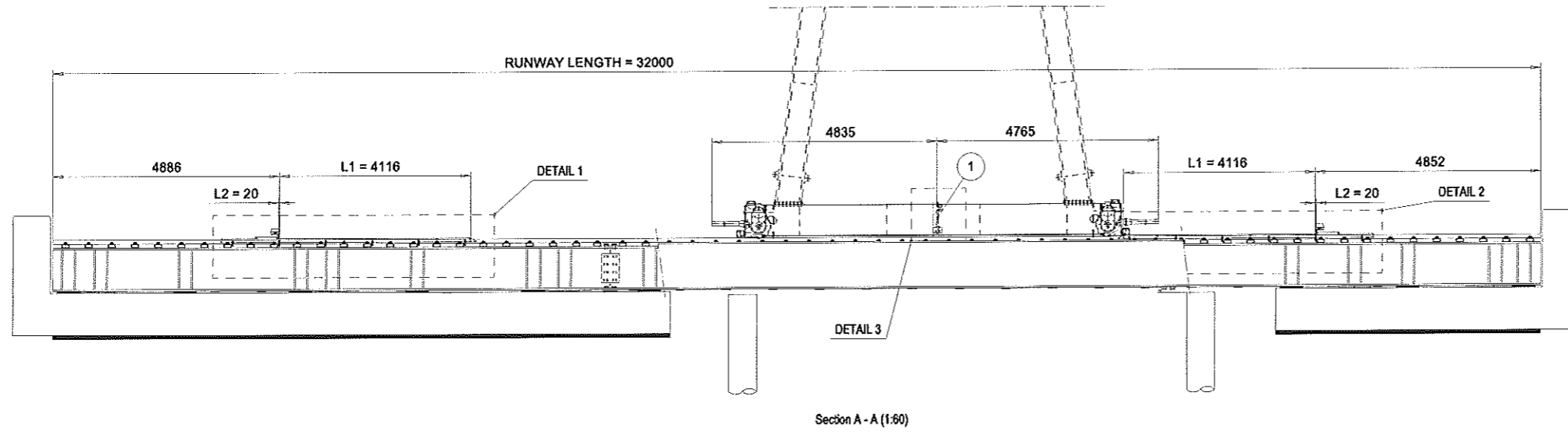
POS	DESCRIPTION	SPECIFICATION	WIDTH	LENGTH	ITEM ID	DRAWING	WEIGHT kg
1	13	RACK D7065-11					4.7
1	12	RACK D7065-5					10.97
1	11	SUPPORT B5631A4-P5					5.73
1	10	FLASHING LIGH B5631A4-P4					1.68
4	9	FLOOD LIGHT B5631A4-P3					2.8
6	8	SUPPORT B5631A4-P2					2
1	7	GATE SAFETY B5631A4-P1					41.62
1	6	TROLLEY POW B5631A4-K1					3.17
1	5	CABLE WAY B5631A4-X					598.7
1	4	CABIN B5631A4-L					2112.13
1	3	POWER SUPPL B5631A4-H					90.7
1	2	TROLLEY LIMIT B5631A4-R3					10.04
1	1	BRIDGE LIMIT S B5631A4-R1					70.58

APPROVED	DATE	DEPARTMENT	SIZE
klm	2017-04-05	Engineering.BL ICS	A2
CHECKED	DATE	TITLE	SCALE
rej-klur	2017-03-24	ACCESSORIES	1 : 65
DESIGN	DATE	KEYWORDS	
klm	2016-12-22		
KONECRANES		PRODUCT / PROJECT REFERENCE	ITEM ID
			53827824
		SPECIFICATION	DRAWING ID
		B5631A4-P	53827824-DRW1
			REV
			1

This document and the information contained herein, is the exclusive property of Konecranes Global Corporation and represents a non-public, confidential and proprietary trade secret that may not be reproduced, disseminated to third parties, altered or otherwise employed in any manner whatsoever without the express written consent of Konecranes Global Corporation. ©2016 Konecranes. All rights reserved.

53827825-DRAW1

REV.	CHANGE DESCRIPTION	ECN	DATE	REVISED BY	APPROVED BY
1	Approved for production		2016-12-22	KBB	KBB

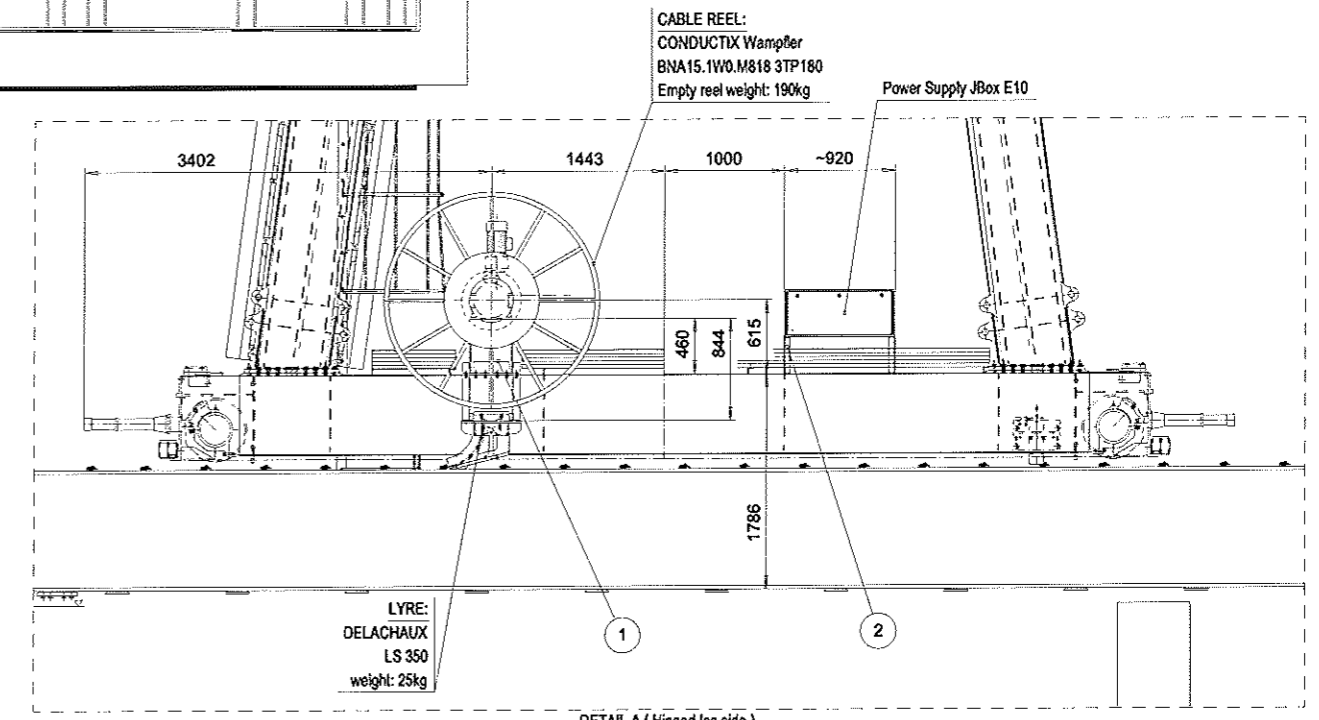
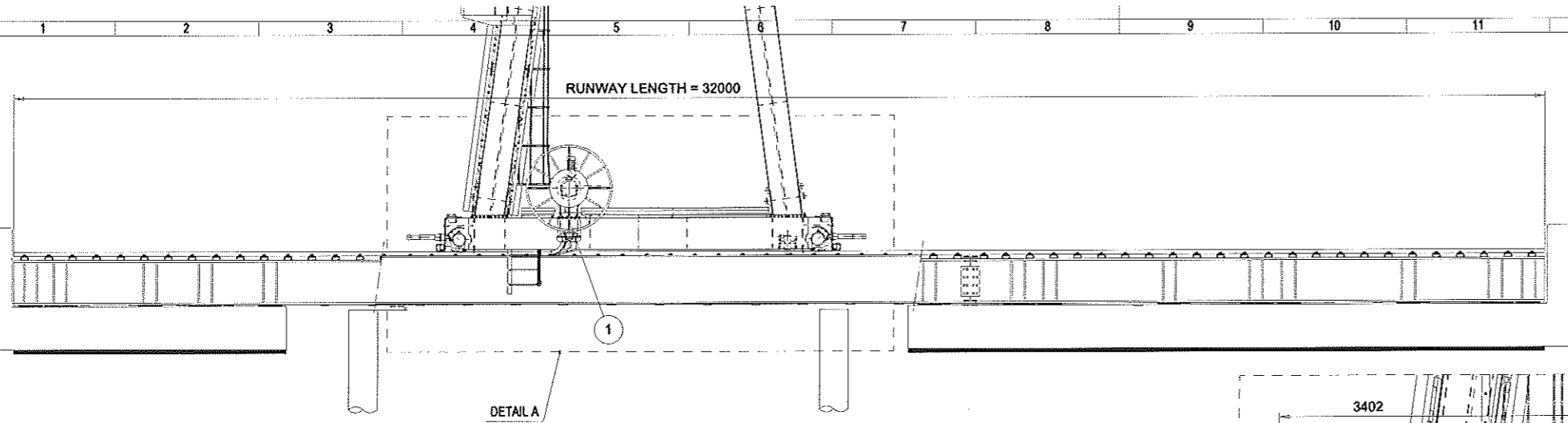


REQUIREMENTS FOR TOLERANCES, WELDS and FABRICATION See Drawing D7059en

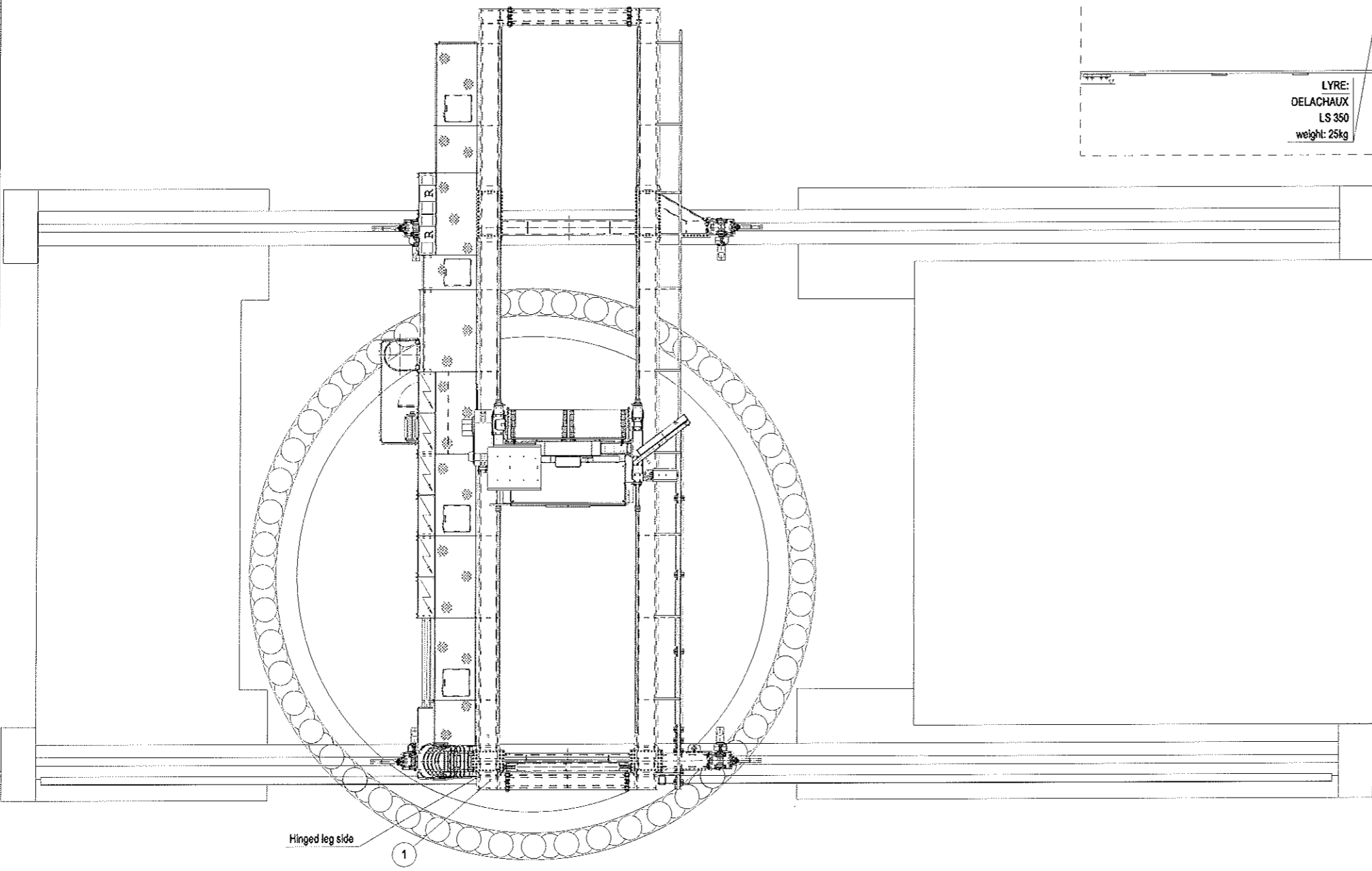
70.58									
1	4	LIMIT SWITCH	TA471-0303Y-H-1877-2658			53381858			1.7
12	3	PROFILE, L-PR	EN100664.50X50X5-S275JR		450	53899228			20.24
2	2	GUIDING CHAN	B5631A4-UM-D7079-A-2 L1=4116 L2=20			53890252			9.7
1	1	BRACKET	B5631A4-R1-OP1			53890239	53890239-DRAW1		9.7
POS	DESCRIPTION	SPECIFICATION	WIDTH	LENGTH	ITEM ID	DRAWING	WEIGHT	SCALE	REV
DATE	2017-04-05	Engineering BL ICS						A1	
DATE	2017-03-24	BRIDGE LIMIT SWITCH						1:60	
DATE	2016-12-22								
KONECRANES							ITEM ID	53827825	
B5631A4-R1							DRAWING ID	53827825-DRAW1	1

53827827-DRW1

REV	CHANGE DESCRIPTION	ECN	DATE	REVISED BY	APPROVED BY
1	Approved for production		2016-12-22	XIII	XIII



DETAIL A (Hinged leg side)
1:30



POS	DESCRIPTION	SPECIFICATION	WIDTH	LENGTH	ITEM ID	DRAWING	WEIGHT
2	BRACKET	B5631A4-H2			53890035	53890035-DRW1	76
1	SUPPORT	B5631A4-H1			53879123	53879123-DRW1	83.1

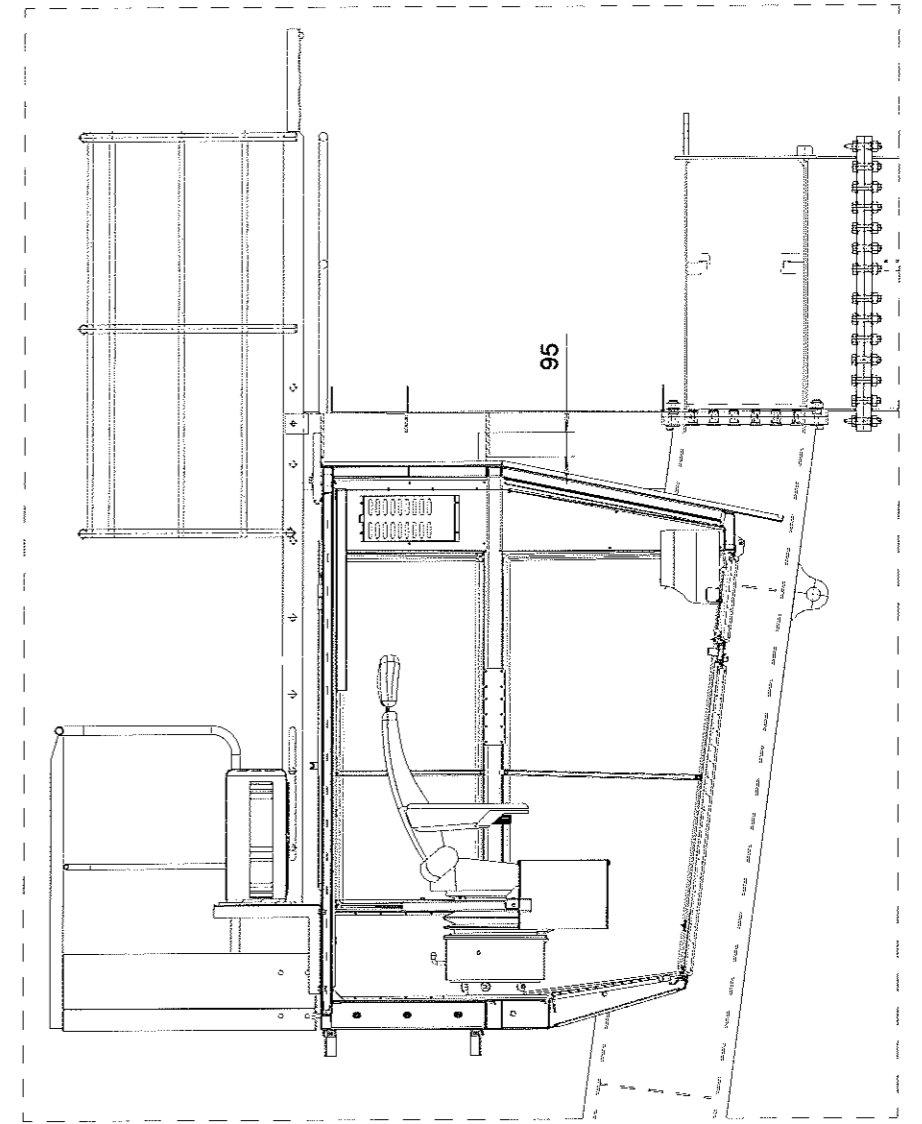
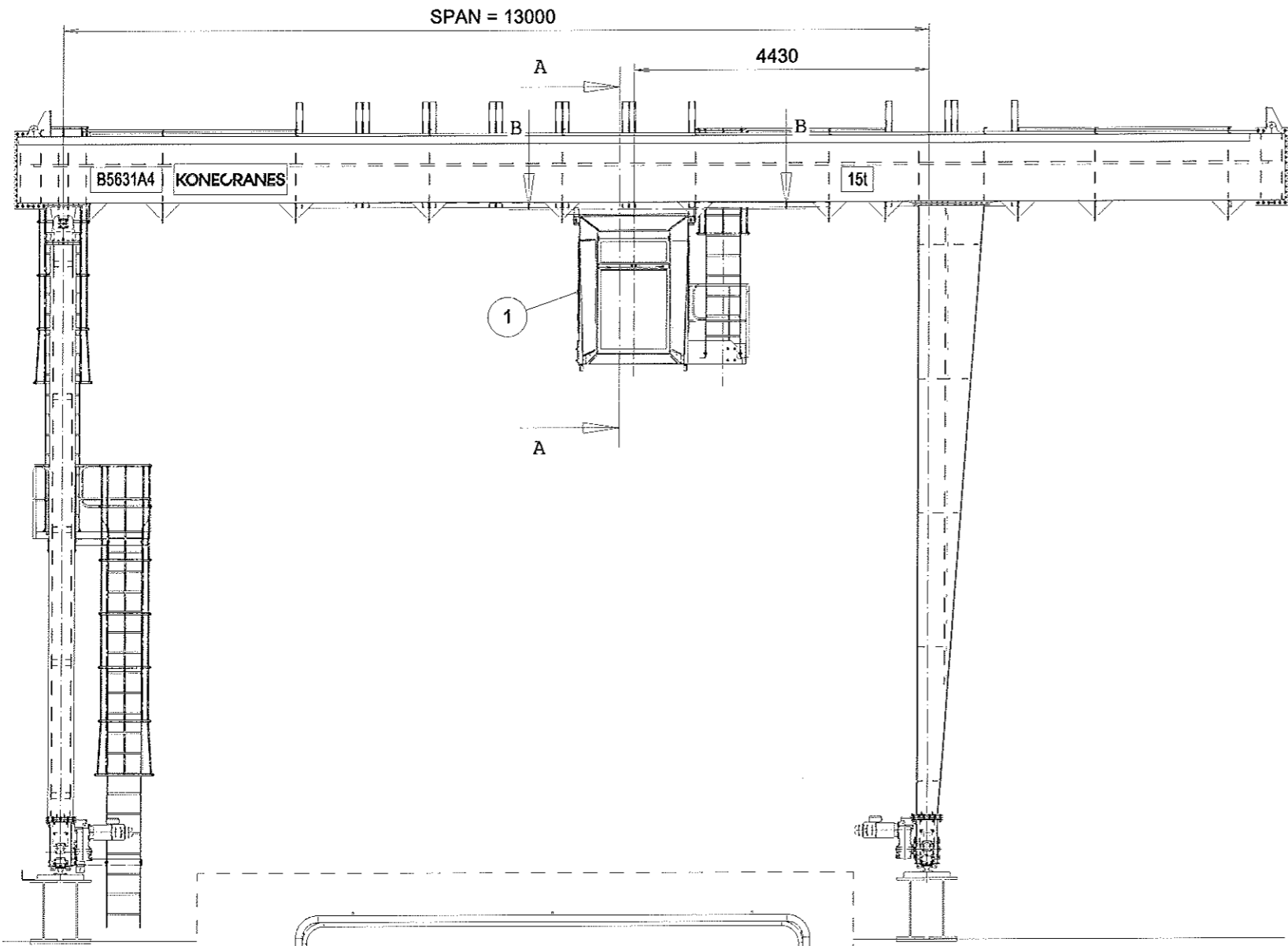
APPROVED	DATE	DEPARTMENT	SCALE
KIII	2017-04-05	Engineering BL ICS	A1
rej:kur	2017-03-23	POWER SUPPLY UNIT	1:60
KIII	2016-12-22	REVISOR	

PROJECT REFERENCE	ITEM ID	SCALE
KONECRANES	53827827	1:60
B5631A4-H	53827827-DRW1	1

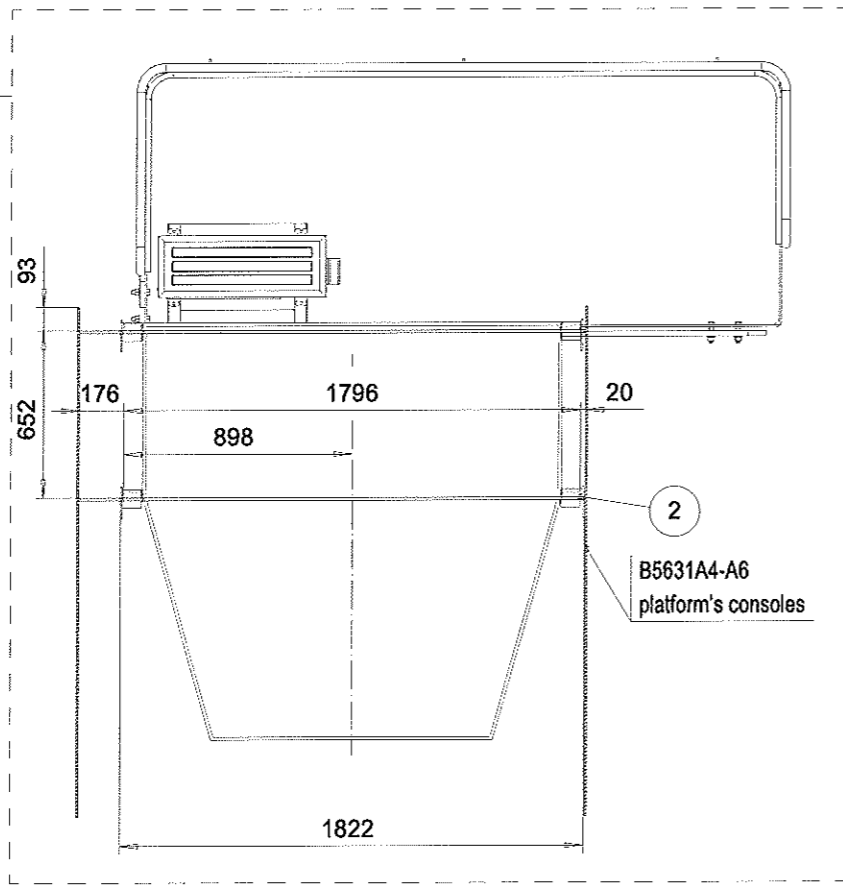
This drawing is the property of KONECRANES. It is not to be reproduced, copied, or disseminated in any form without the prior written consent of KONECRANES.

53827828-DRW1

REV	CHANGE DESCRIPTION	ECN	DATE	REVISED BY	APPROVED BY
1	Approved for production		2016-12-22		



Section A - A (1:20)



Section B - B (1:20)

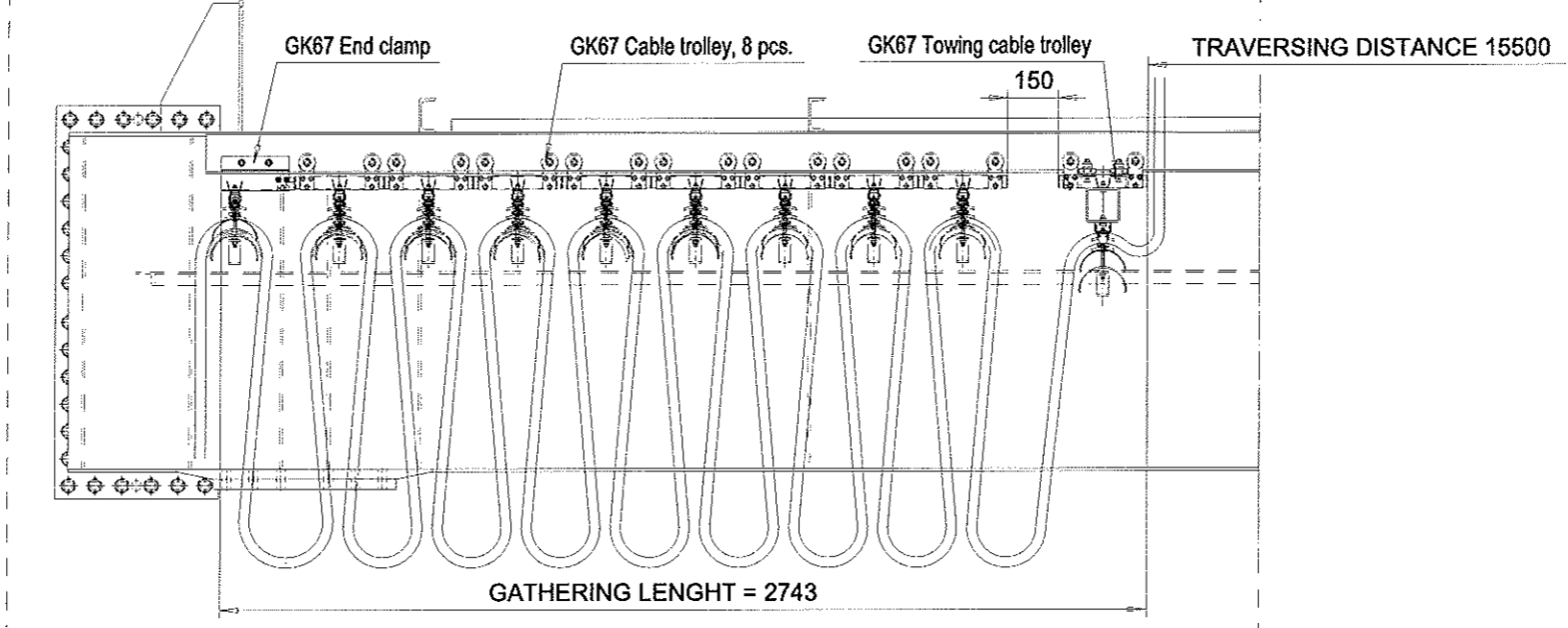
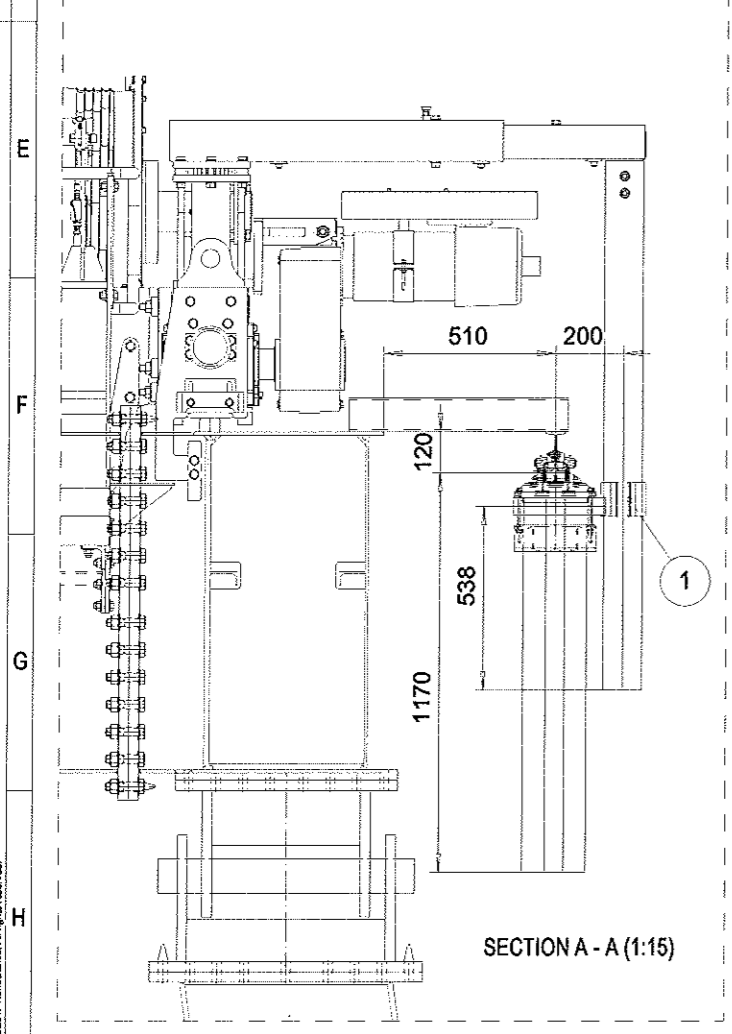
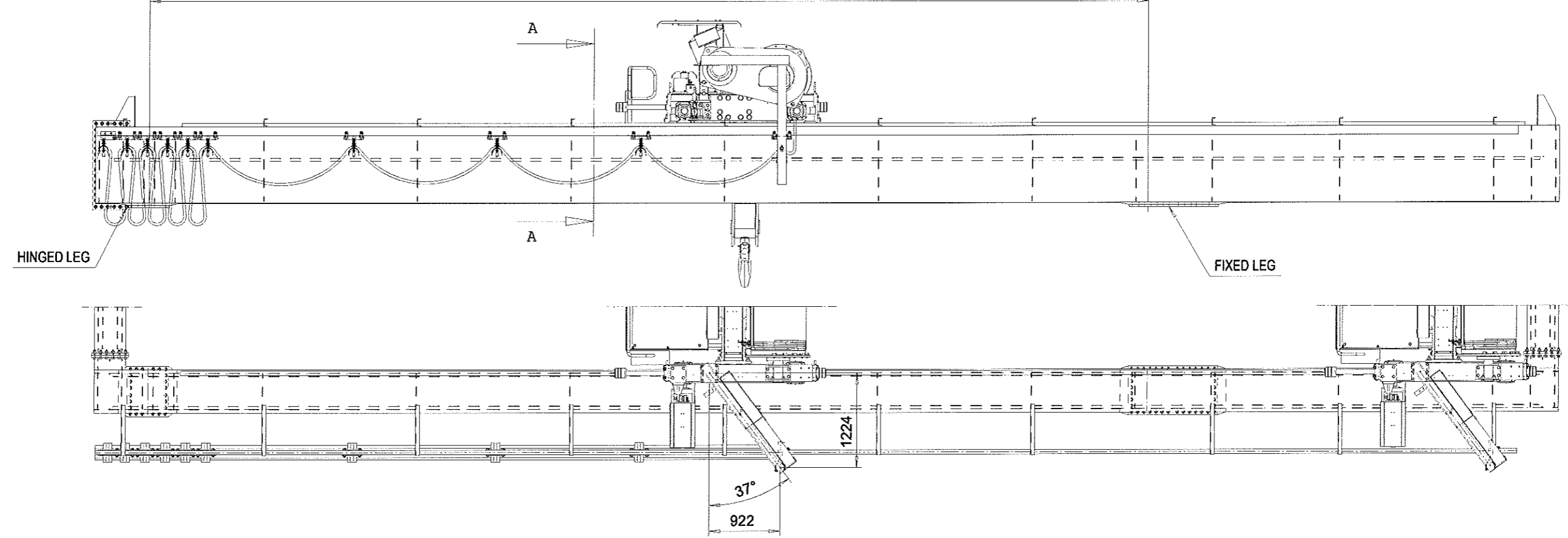
This document and the information contained herein, is the exclusive property of Konecranes Global Corporation and represents a non-public, confidential and proprietary trade secret that may not be reproduced, disclosed to third parties, stored or otherwise employed in any manner whatsoever without the express written consent of Konecranes Global Corporation. ©2016 Konecranes. All rights reserved.

2112										
1	2	FASTENING	FH240-D1			53261373	53261373-VXP1		29.92	
1	1	CABIN	MAIN ASSEMBLY-B5631A4-UK			53865392	53865392-DRW1		2082.21	
POS	DESCRIPTION	SPECIFICATION		WIDTH	LENGTH	ITEM ID	DRAWING	WEIGHT		
APPROVED	DATE	DEPARTMENT						SIZE		
klllll	2017-04-05	Engineering.BL ICS						A2		
CHECKED	DATE	TITLE						SCALE		
rej-klur	2017-03-23	CABIN						1 : 60		
DESIGN	DATE	KEYWORDS						UNIT		
klllll	2016-12-22							mm		
KONECRANES						PRODUCT / PROJECT REFERENCE	ITEM ID	REV		
						B5631A4-L	53827828	53827828-DRW1		1

53877971-DRW1

REV	CHANGE DESCRIPTION	ECN	DATE	REVISED BY	APPROVED BY
1	Approved for production		2017-03-08	salomol	killi

CRANE SPAN = 13000



1:15

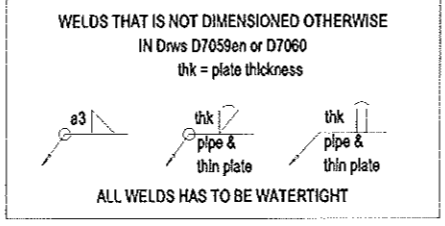
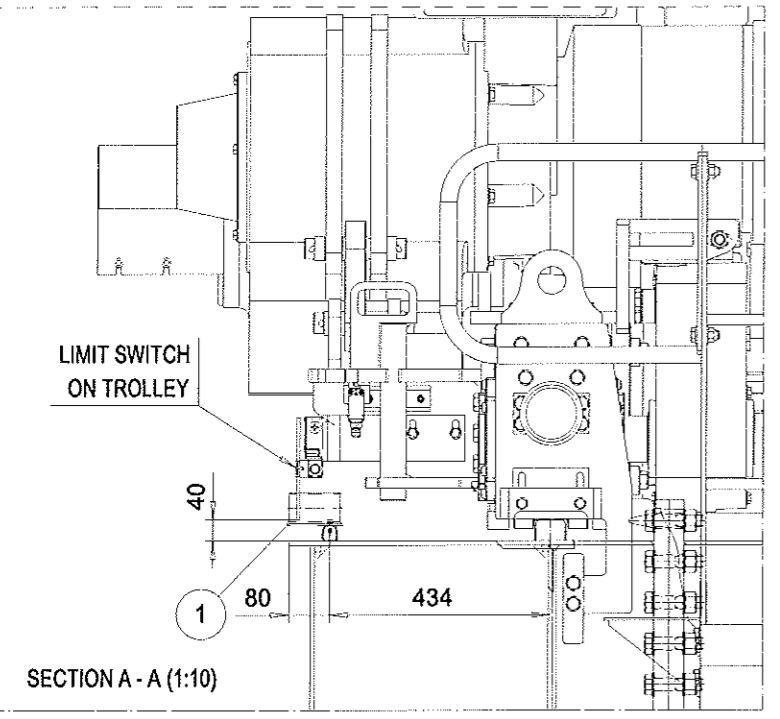
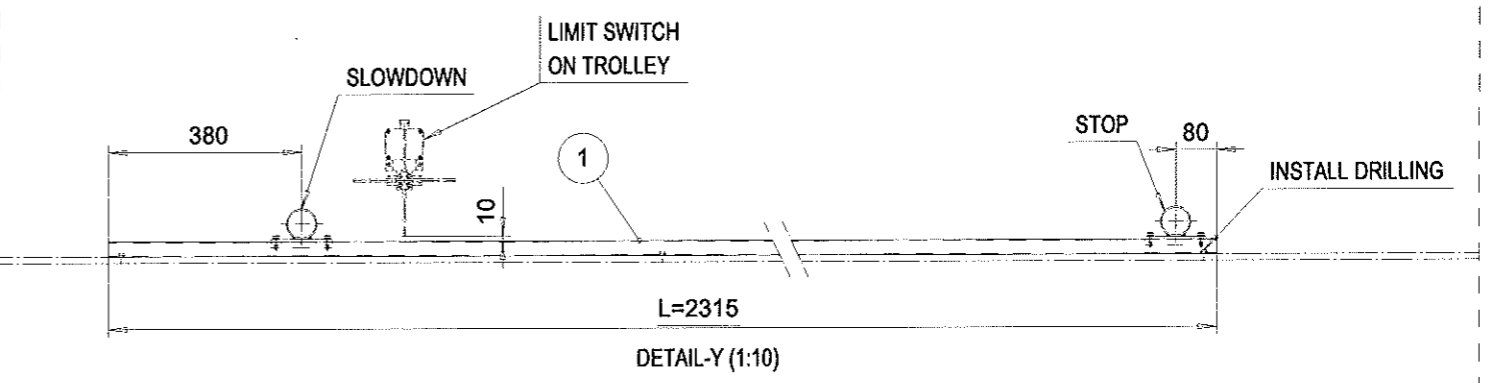
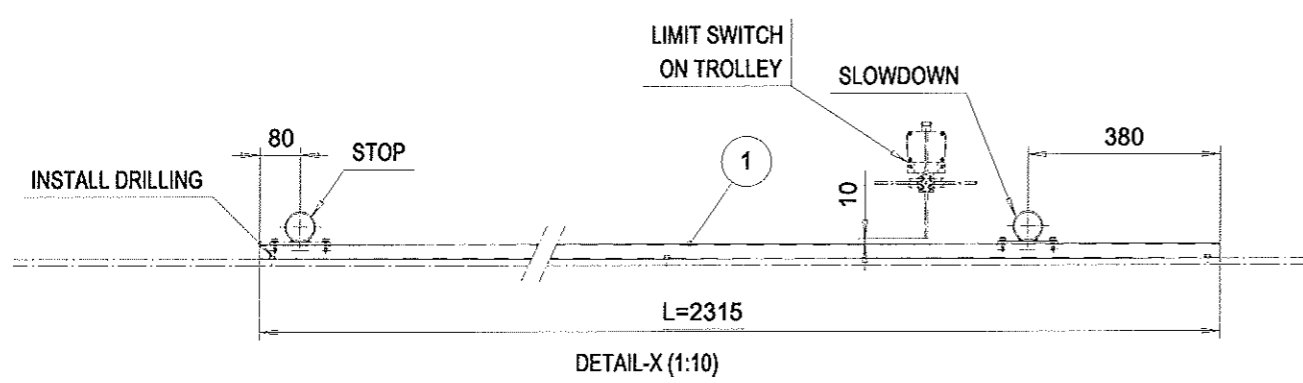
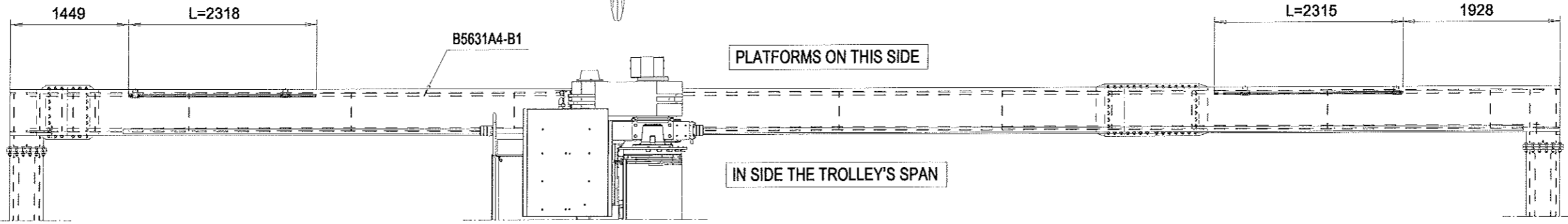
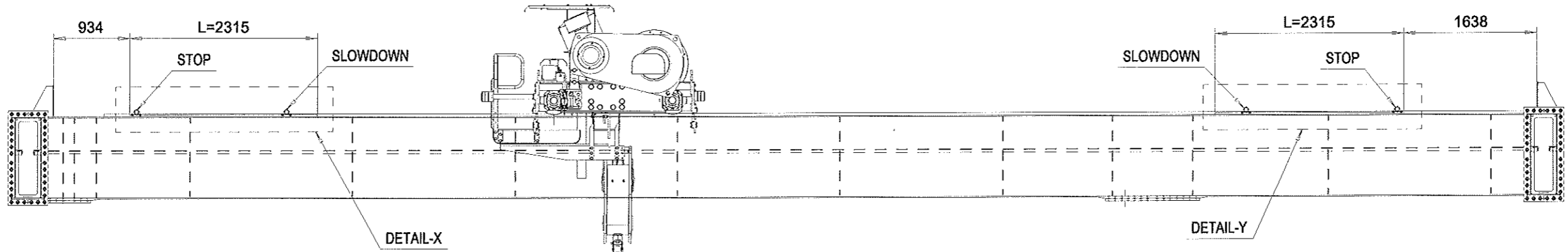
REQUIREMENTS for TOLERANCES,
WELDS and FABRICATION
See Drawing D7059en

3.170	1	TOWING ARM	GK67-T-OP1-300			53716634	53716634-DRW1	3.17
1	POS	DESCRIPTION	SPECIFICATION	WIDTH	LENGTH	ITEM ID	DRAWING	WEIGHT lg
APPROVED	killi	DATE	2017-04-05	DEPARTMENT	Engineering.BL ICS			SIZE
CHECKED	salomol	DATE	2017-03-27	TITLE	TROLLEY POWER SUPPLY			SCALE
DESIGN	salomol	DATE	2017-03-08	KEYWORDS				1 : 40
PRODUCT / PROJECT REFERENCE						ITEM ID	53877971	mm
SPECIFICATION						DRAWING ID	53877971-DRW1	REV
KONECRANES								1

This document and the information contained herein, is the exclusive property of Konecranes Global Corporation and represents a non-public, confidential and proprietary trade secret that may not be reproduced, disclosed to third parties, altered or otherwise employed in any manner whatsoever without the express written consent of Konecranes Global Corporation. ©2017 Konecranes. All rights reserved.

REV	CHANGE DESCRIPTION	ECN	DATE	REVISED BY	APPROVED BY
1	Approved for production		2017-03-08	salomol	killil

53878118-DRW1

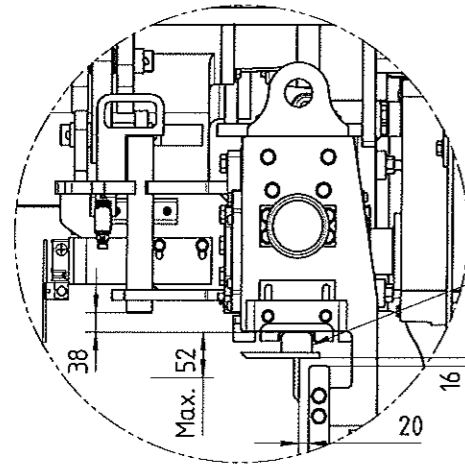
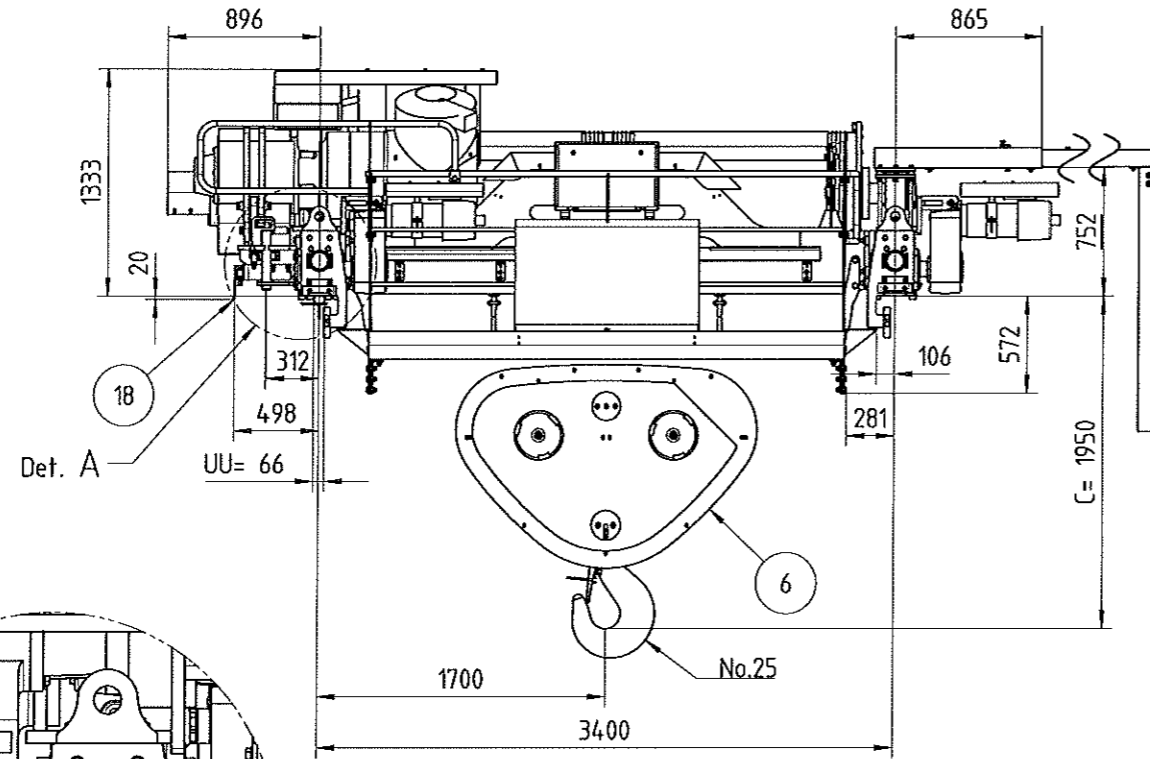


REQUIREMENTS for TOLERANCES, WELDS and FABRICATION
See Drawing D7059en

POS	DESCRIPTION	SPECIFICATION	WIDTH	LENGTH	ITEM ID	DRAWING	WEIGHT kg
1	LIMIT SWITCH A	B5631A4-R3-OP1			53878695	53878695-DRW1	5.02
APPROVED	DATE	DEPARTMENT					
killil	2017-04-05	Engineering.BL ICS					
CHECKED	DATE	TITLE					
rej-klur	2017-03-23	TROLLEY LIMIT SWITCH					
DESIGN	DATE	KEYWORDS					
salomol	2017-03-08						
PRODUCT / PROJECT REFERENCE						ITEM ID	
						53878118	
						DRAWING ID	
						53878118-DRW1	
						REV	
						1	

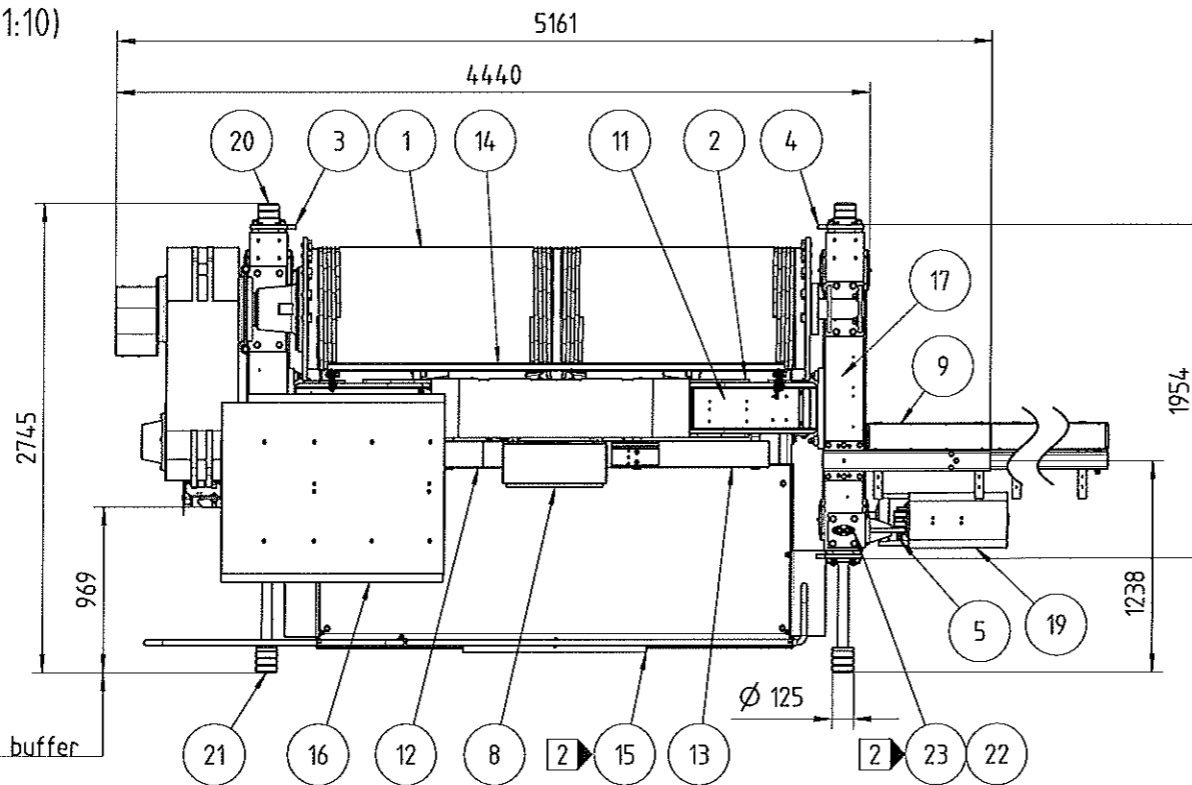
This document and the information contained herein, is the exclusive property of Konecranes Global Corporation and represents a non-public, confidential and proprietary trade secret that may not be reproduced, disclosed to third parties, altered or otherwise employed in any manner whatsoever without the express written consent of Konecranes Global Corporation. ©2017 Konecranes. All rights reserved.

Rev	Description	ECN	Date	Revised by	Approved by
1	-		2017-02-08	mistrvi	ahonema1
2	Platform updated, safety harness anchor points added.	ECN-007211	2017-10-12	nikami	ahonema1

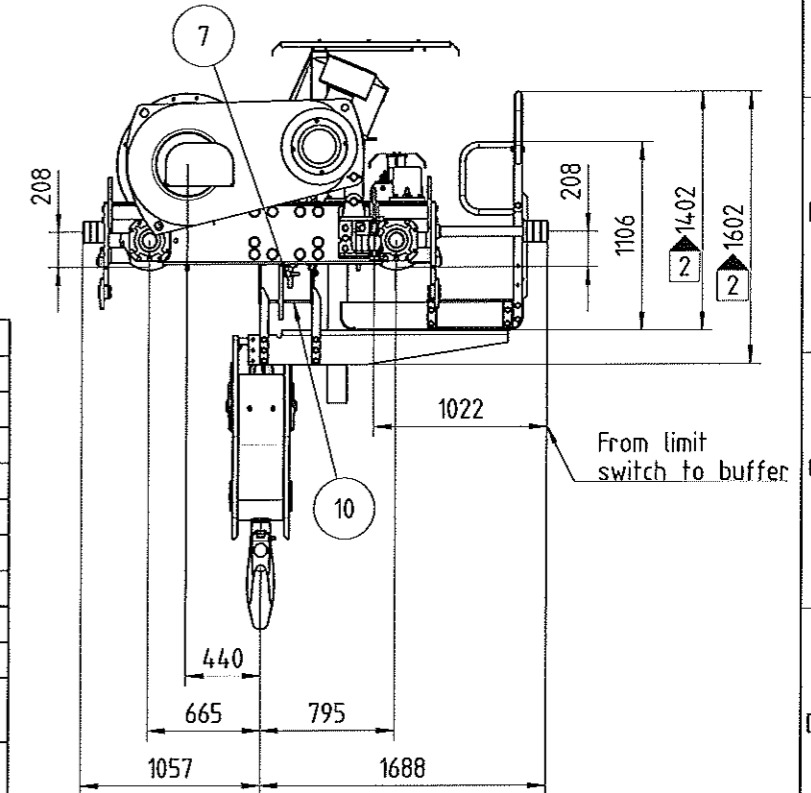


Rail 60x40
L1=50, L2=46

Det. A (1:10)



HOIST DATA	SMT19220834F
WORK NUMBER	B5631A4
LOAD	15 T
LIFTING HEIGHT (MAX)	59 m (Max 59 m)
HOISTING SPEED	28.6 m/min (ESR 4.0 m/min)
TRAVERSING SPEED	20 m/min
HOISTING MOTOR	MF22LR200
TRAVERSING MOTOR	MF11XM200G
TYPE OF ROPE	D22-8XK26-EPIWRC
WEIGHT OF ROPE	610 kg
TOTAL WEIGHT OF TROLLEY	10400 kg
HOIST GROUP	1 000 000 Full load lifting cycles



Pos	Qty	Description	Specification	WIDTH	LENGTH	Item No.	Drawing No.	Weight kg
23	2	SUPPORT	SUM-L132W60H64			53690634	53690634-DRW1	0.45
22	1	MACHINING	SUM-L2036			55040331	55040331-DRW1	-
21	2	BUFFER EXTENSION	UM19-D125L656W150			53017283	53017283-NXD1	9.98
20	2	BUFFER	D125-125-Z-PUR			52254447		106
19	2	RAIN COVER	UM-L580W325H331			53043673	D158839-A	5.17
18	1	LIMIT SWITCH EQUIPMENT	UM17UM18UM19-L330W205T210			53008886	D107347-A	3.27
17	1	GREASE NIPPLE	UM19-D315			53032728	D155050-A	3.22
16	1	RAIN COVER	SUM19-L1315W1100H893			53864067	53864067-DRW1	78.01
15	1	SERVICE PLATFORM	SUM19-H1402L4016W1602T1648			55040733	55040733-DRW1	322.45
14	1	ROPE WATCH	UM19-L2783W208H654			53058428	D161647-A	29.45
13	1	CABLE CHANNEL	UM17UM19-L2085W930T195.5			53159267	D179359-A	7.62
12	1	CABLE CHANNEL	UM17-UM20-L2085W1600T195.5			53159368	D179351-A	13.07
11	1	STICKER	SUM19-STICKERS			53861561	53861561-DRW1	-
10	1	LIMIT SWITCH EQUIPMENT	UM-L305W200T331			53301956	53301956-DRW1	2.24
9	1	TOWING ARM	UM18UM19-L335W450T1709			53017446	D119371-A	165.28
8	1	ELECTRIC CUBICLE	UM17UM18UM19UM20-L562W6125T295			53850069	53850069-DRW1	22.74
7	1	ROPE	UM19-D22			53055349	D112604-A	-
6	1	HOOK BLOCK	UM19-W1780H1135T415			53859363	53353265-DRW1	1357.69
5	1	TRAVELLING MACHINERY	UM19-R3400-56			53863406	53863406-DRW1	34.148
4	1	END CARRIAGE	UM19-D315L2036			53859361	D165151-A	609.19
3	1	END CARRIAGE	SUM19-R315W66L2036			53863518	53863518-DRW1	632.70
2	1	BEAM, SUPPORT BEAM	SUM19-R3400L3163W470			53864769	53864769-DRW1	1082.83
1	1	HOISTING MACHINERY	SUM19-D730D22L4416			53863356	53863356-DRW1	4861.41
Approved	Date	Over department	Folder	Size	Total weight kg	Sheet		
ahonema1	2017-02-16	UMProduct Management		A2	9548.22	1/1		
Checked	Date	For						
sonawas	2017-02-16	TROLLEY						
Designed	Date	Keywords						
mistrvi	2017-02-08	SUM19; R22; R=3400; DUTY CODE 08						
Product reference						Item ID		
KONECRANES						53861270		
Specification						Document ID		
SUM19-R3400						53861270-DRW1		
						Rev		
						2		